

Submersible pumps

-  Sewage water
-  Domestic use
-  Civil use



PERFORMANCE RANGE

- Flow rate up to **400 l/min** (24 m³/h)
- Head up to **13 m**

APPLICATION LIMITS

- **5 m** maximum immersion depth (with a sufficiently long power cable)
- Maximum liquid temperature **+40 °C**
- Passage of solids:
 - up to **Ø 30 mm** for ZXm 2/30
 - up to **Ø 40 mm** for ZXm 2/40
- Minimum immersion depth for continuous service:
 - **265 mm** for ZXm 2/30
 - **275 mm** for ZXm 2/40

CONSTRUCTION AND SAFETY STANDARDS

The pumps are complete with:

- **5 m** long power cable
- float switch for single-phase version
- hose connection Ø 50 mm

EN 60335-1
IEC 60335-1
CEI 61-150

EN 60034-1
IEC 60034-1
CEI 2-3



CERTIFICATIONS

Company with management system certified DNV ISO 9001: QUALITY

INSTALLATION AND USE

ZX2 series pumps are suitable for draining **dirty water** in domestic and civil applications and for pumping dirty water containing suspended solids up to Ø 40 mm. They distinguish themselves for the ease with which they are installed and their reliability under automatic operating conditions in fixed installations.

PATENTS - TRADE MARKS - MODELS

- Patent n. EP2313658
- Patent n. IT0001428923

OPTIONS AVAILABLE ON REQUEST

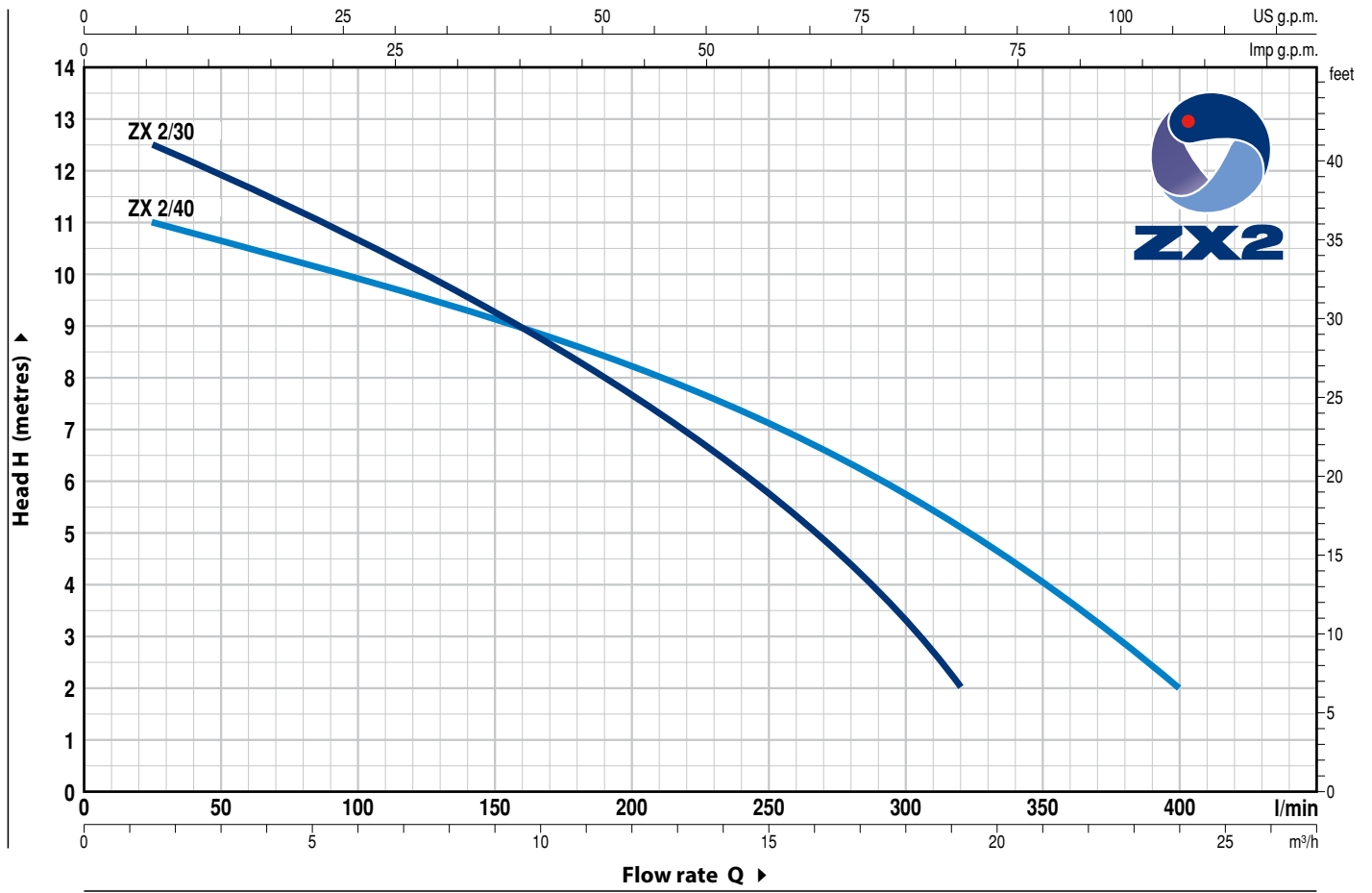
- Pumps with a **10 m** long power cable.
 - ➔ N.B.: Standard EN 60335-2-41 states that the power cable must be 10 m long for outdoor applications
- Single-phase pumps without float switch
- Other voltages

GUARANTEE

2 years subject to terms and conditions

CHARACTERISTIC CURVES AND PERFORMANCE DATA

60 Hz n= 3450 min⁻¹

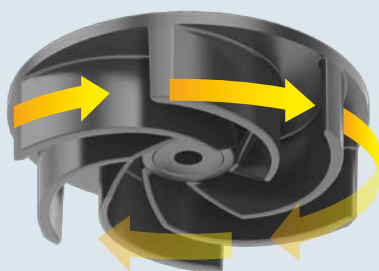


MODEL		POWER (P ₂)		Q	Flow rate																							
Single-phase	Three-phase	kW	HP		m ³ /h	0	1.5	3	6	9	12	15	18	19.2	21	24	l/min	0	25	50	100	150	200	250	300	320	350	400
ZXm 2/30	ZX 2/30	0.55	0.75	H metres	13	12.5	11.8	10.6	9.3	7.6	5.8	3.3	2															
ZXm 2/40	ZX 2/40	0.55	0.75		11.5	11	10.6	9.8	9.2	8.2	7.2	5.7	5.2	4	2													

Q = Flow rate H = Total manometric head

Tolerance of characteristic curves in compliance with EN ISO 9906 Grade 3B.

VORTEX IMPELLER



POS. COMPONENT CONSTRUCTION CHARACTERISTICS

1 PUMP BODY	Glass fibre reinforced technopolymer complete with threaded delivery port in compliance with ISO 228/1 (5 years guarantee)				
2 BASE	Glass fibre reinforced technopolymer				
3 IMPELLER	Glass fibre reinforced technopolymer VORTEX type				
4 MOTOR CASING	Stainless steel AISI 304				
5 MOTOR CASING PLATE	Stainless steel AISI 304				
6 MOTOR SHAFT	Stainless steel AISI 431				
7 SHAFT WITH DOUBLE MECHANICAL SEAL SEPARATED BY AN OIL CHAMBER					
<i>Seal Model</i>	<i>Shaft Diameter</i>	<i>Position</i>	<i>Stationary ring</i>	<i>Rotational ring</i>	<i>Materials</i>
MG1-14D SIC	Ø 14 mm	Motor side Pump side	Silicon carbide Silicon carbide	Graphite Silicon carbide	NBR NBR
8 BEARINGS	6203 ZZ / 6203 ZZ				

9 CAPACITOR	
<i>Capacitance (220 V)</i>	<i>(110 V or 127 V)</i>
20 µF - 450 VL	30 µF - 250 VL

10 ELECTRIC MOTOR

ZXm 2: single-phase 220 V - 60 Hz
with thermal overload protector incorporated into the winding

ZX 2: three-phase 380 V - 60 Hz

- Insulation: class F
- Protection: IP X8

11 POWER CABLE

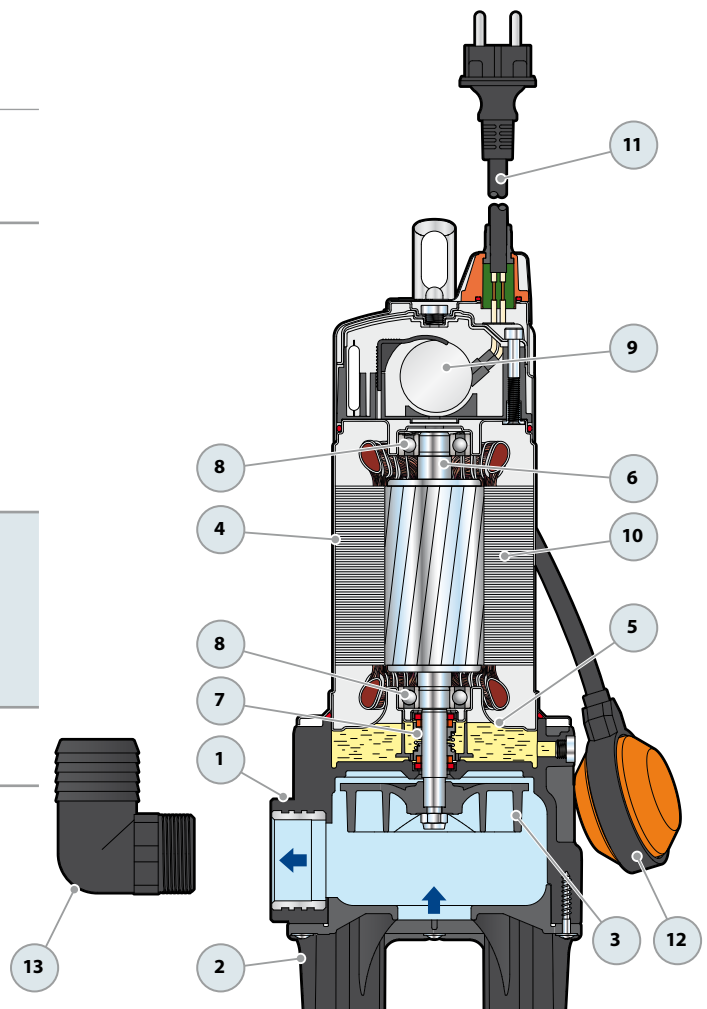
"H07 RN-F" type
(with Schuko plug for single-phase versions only)

Standard length 5 metres

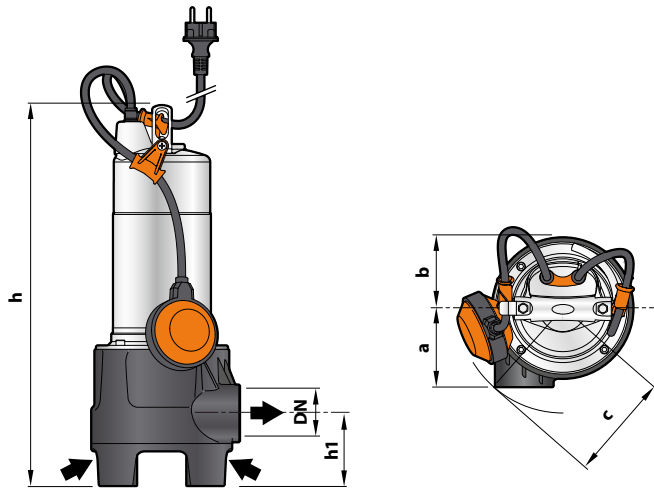
12 FLOAT SWITCH

13 HOSE CONNECTION

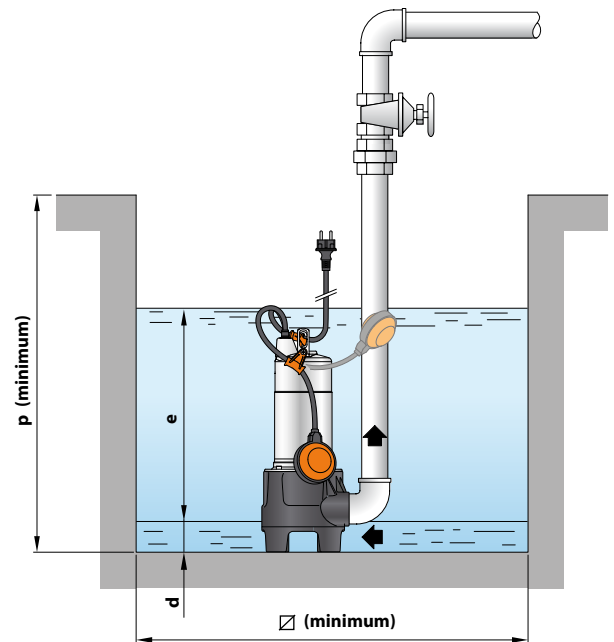
Ø 50 mm



DIMENSIONS AND WEIGHT



Typical installation



MODEL		PORT DN	Passage of solids	DIMENSIONS mm										kg	
Single-phase	Three-phase			a	b	c	h	h1	d	e	p	∅	1~	3~	
ZXm 2/30	ZX 2/30	1½"	∅ 30 mm	90	81	118	413	73	50	variable	500	500	10.8	9.7	
ZXm 2/40	ZX 2/40		432				83	10.8							9.7

ABSORPTION

MODEL	VOLTAGE		
	Single-phase	220 V	110 V
ZXm 2/30	4.2 A	8.4 A	8.0 A
ZXm 2/40	4.2 A	8.4 A	8.0 A

MODEL	VOLTAGE		
	Three-phase	220 V	380 V
ZX 2/30	3.3 A	1.9 A	1.7 A
ZX 2/40	3.3 A	1.9 A	1.7 A

PALLETIZATION

MODEL	GROUPAGE
Single-phase	n. pumps
ZXm 2/30	54
ZXm 2/40	54