



Submersible pumps

High flow

-  Sewage water
-  Civil use
-  Industrial use



PERFORMANCE RANGE

- Flow rate up to **5000 l/min** (300 m³/h)
- Head up to **22 m**

APPLICATION LIMITS

- **10 m** maximum immersion depth (with a sufficiently long power cable)
- Maximum liquid temperature **+40 °C**
- Passage of suspended solids up to **Ø 80 mm**
- To have continuous duty, the pump has not to emerge (to be out) of the water for more than **290 mm**

CONSTRUCTION AND SAFETY STANDARDS

- **10 m** long power cable

EN 60335-1
IEC 60335-1
CEI 61-150

EN 60034-1
IEC 60034-1
CEI 2-3



CERTIFICATIONS

Company with management system certified DNV
ISO 9001: QUALITY

INSTALLATION AND USE

The **VXC4** series of pumps, manufactured from heavy gauge robust cast iron, resistant to abrasion and long-lasting, are fitted with a VORTEX impeller and are therefore suitable for draining **dirty, sewage and reflux water, and water mixed with putrid mud**. They are suitable for installation in sewers, tunnels, excavations, canals, underground car parks, etc.

PATENTS - TRADE MARKS - MODELS

- Registered EU Design n. 003863158-0003

OPTIONS AVAILABLE ON REQUEST

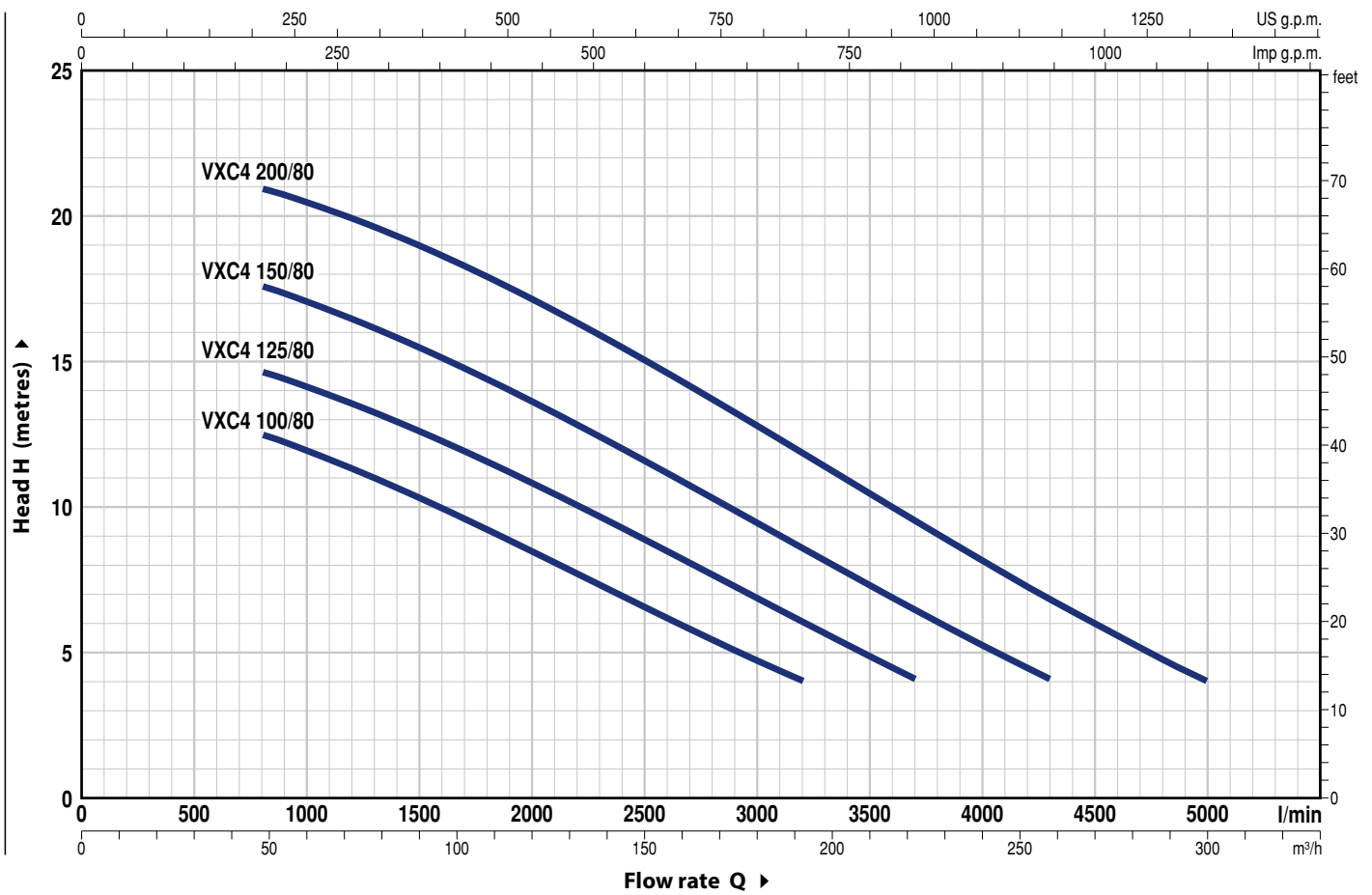
- Other voltages

GUARANTEE

2 years subject to terms and conditions

CHARACTERISTIC CURVES AND PERFORMANCE DATA

60 Hz n= 1750 min⁻¹



MODEL Three-phase	POWER (P ₂)		Q	0	48	60	90	120	150	180	192	222	258	300
	kW	HP		0	800	1000	1500	2000	2500	3000	3200	3700	4300	5000
VXC4 100/80	7.5	10	H metres	14	12.5	12	10.3	8.5	6.6	4.7	4			
VXC4 125/80	9.2	12.5		16	14.6	14.1	12.6	10.8	8.9	6.9	6	4		
VXC4 150/80	11	15		19.1	17.6	17.1	15.5	13.6	11.6	9.5	8.6	6.5	4	
VXC4 200/80	15	20		22	20.9	20.5	19	17.1	15	12.8	11.9	9.5	6.8	4

Q = Flow rate H = Total manometric head

Tolerance of characteristic curves in compliance with EN ISO 9906 Grade 3B.

POS. COMPONENT CONSTRUCTION CHARACTERISTICS

1	PUMP BODY	Cast iron				
2	IMPELLER	VORTEX type in cast iron				
3	MOTOR CASING	Cast iron				
4	MOTOR CASING PLATE	Cast iron				
5	MOTOR SHAFT	Stainless steel AISI 431				
6	SHAFT WITH DOUBLE MECHANICAL SEAL SEPARATED BY AN OIL CHAMBER					
	Seal	Shaft	Position	Materials		
	<i>Model</i>	<i>Diameter</i>		<i>Stationary ring</i>	<i>Rotational ring</i>	<i>Elastomer</i>
	AR-35	Ø 35 mm	Motor side	Ceramic	Graphite	NBR
	MG1-40	Ø 40 mm	Pump side	Silicon carbide	Silicon carbide	NBR
7	BEARINGS	6308 2RS-C3 / 3308A 2RS-C3				

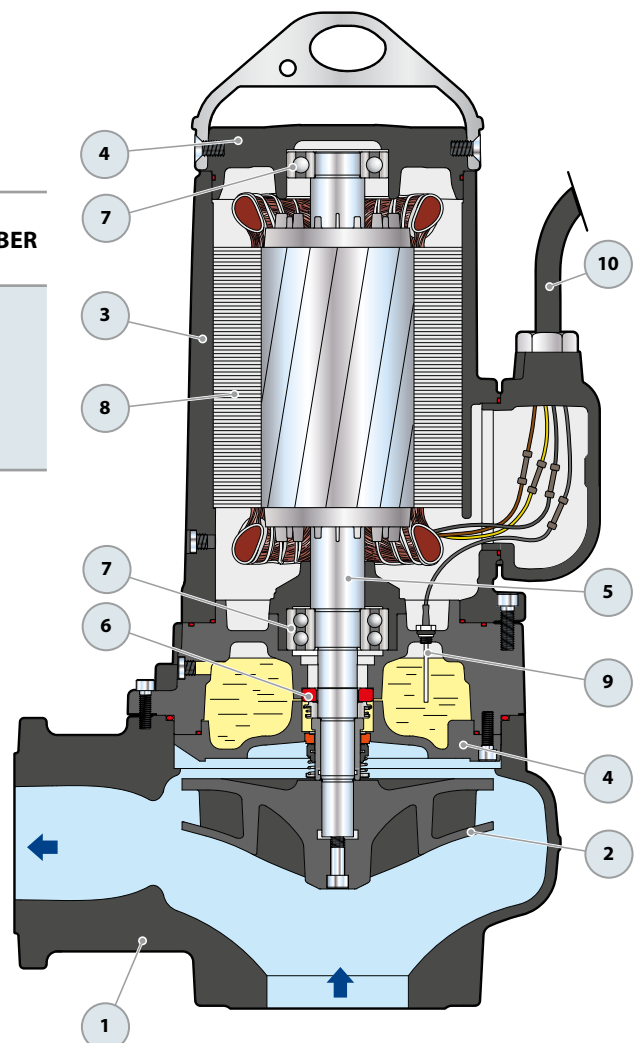
8 ELECTRIC MOTOR

- three-phase 380 V - 60 Hz
with thermal overload protector incorporated into the winding
- Insulation: class F
- Protection: IP X8

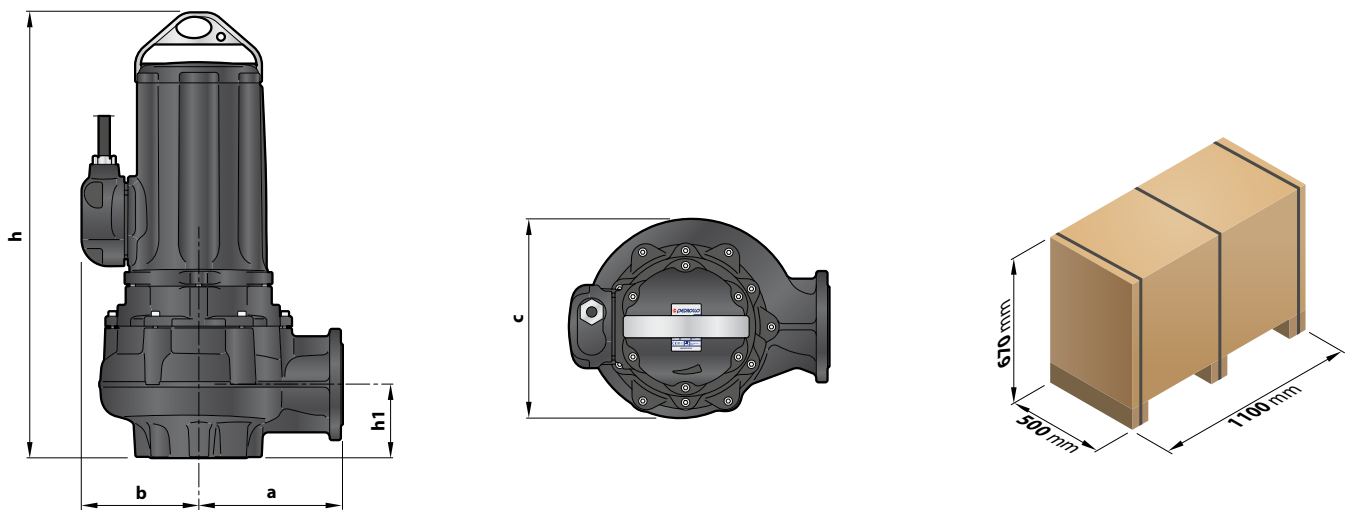
9 PROBE DETECTING THE PRESENCE OF WATER IN THE OIL CHAMBER

10 POWER CABLE

"H07 RN-F" type
Standard length 10 metres

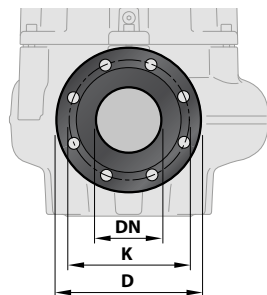


DIMENSIONS AND WEIGHT



MODEL	Passage of solids	DIMENSIONS mm					kg
		a	b	c	h	h1	
Three-phase	Ø 80	285	232	395	870	145	3~
VXC4 100/80							215
VXC4 125/80							217
VXC4 150/80							227
VXC4 200/80							237

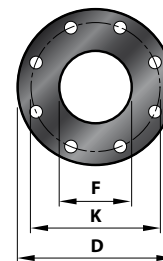
FLANGED PORT



MODEL	FLANGE DN	K mm	D mm	HOLES	
				N.	Ø (mm)
Three-phase	100 (PN10)	180	220	8	18
VXC4 100/80					
VXC4 125/80					
VXC4 150/80					
VXC4 200/80					

COUNTERFLANGE

(TO BE ORDERED SEPARATELY)



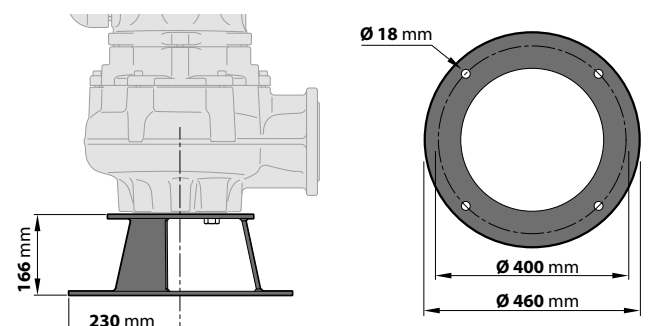
MODEL	FLANGE DN	F	K mm	D mm	HOLES	
					N.	Ø (mm)
Three-phase	100	4"	180	220	8	18
VXC4 100/80						
VXC4 125/80						
VXC4 150/80						
VXC4 200/80						

ABSORPTION

MODEL	VOLTAGE		
	220 V	380 V	440 V
Three-phase			
VXC4 100/80	31.5 A	18.0 A	15.0 A
VXC4 125/80	36.5 A	21.0 A	17.5 A
VXC4 150/80	44.0 A	25.5 A	21.0 A
VXC4 200/80	56.5 A	32.5 A	27.0 A

BASE

(TO BE ORDERED SEPARATELY)



SEWAGE LIFTING SYSTEM VXC4 – MC4



VERTICAL DELIVERY VERSION WITH 2" GUIDE TUBES

For VXC4, MC4	Cod. ASSPVXC4V	DN 4"
----------------------	----------------	-------

Kit consisting of:

- footing connection complete with counterflange
- slide guide with screws and seals
- support for the guide tubes

STANDARD INSTALLATION

- | | |
|---|--|
| 1. Pump | 7. Control box |
| 2. Footing connection | 8. Stop float switch |
| 3. Guide tubes | 9. Starting float switch |
| 4. Support for the guide tubes | 10. Starting float switch auxiliary pump |
| 5. Intermediate support for the guide tubes | 11. Alarm float switch |
| 6. Lifting chain | 13. Cement base |

SLIDE GUIDE (Also to be ordered separately)

For VXC4, MC4	Cod. ASSFL100
----------------------	---------------

Complete with screws and seals

● INTERMEDIATE SUPPORT (To be ordered separately)

Cod. 859SV349INTFA	Guide tube Ø 2"
--------------------	-----------------

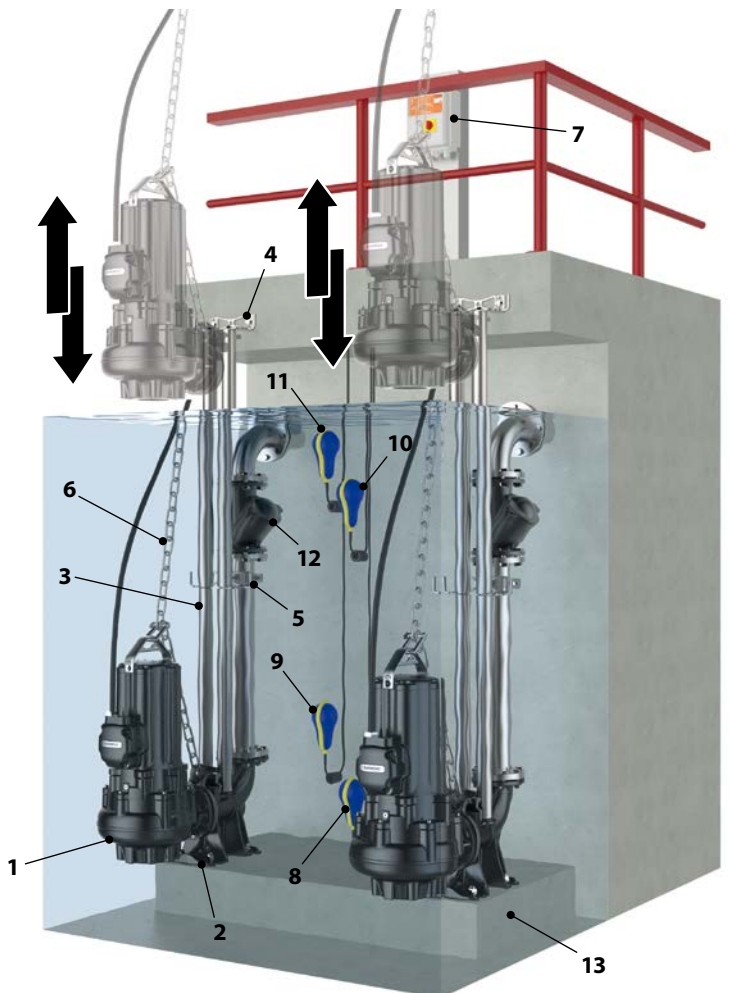
In order to ensure stability, insert the intermediate support every three metres of guide tube (recommended)



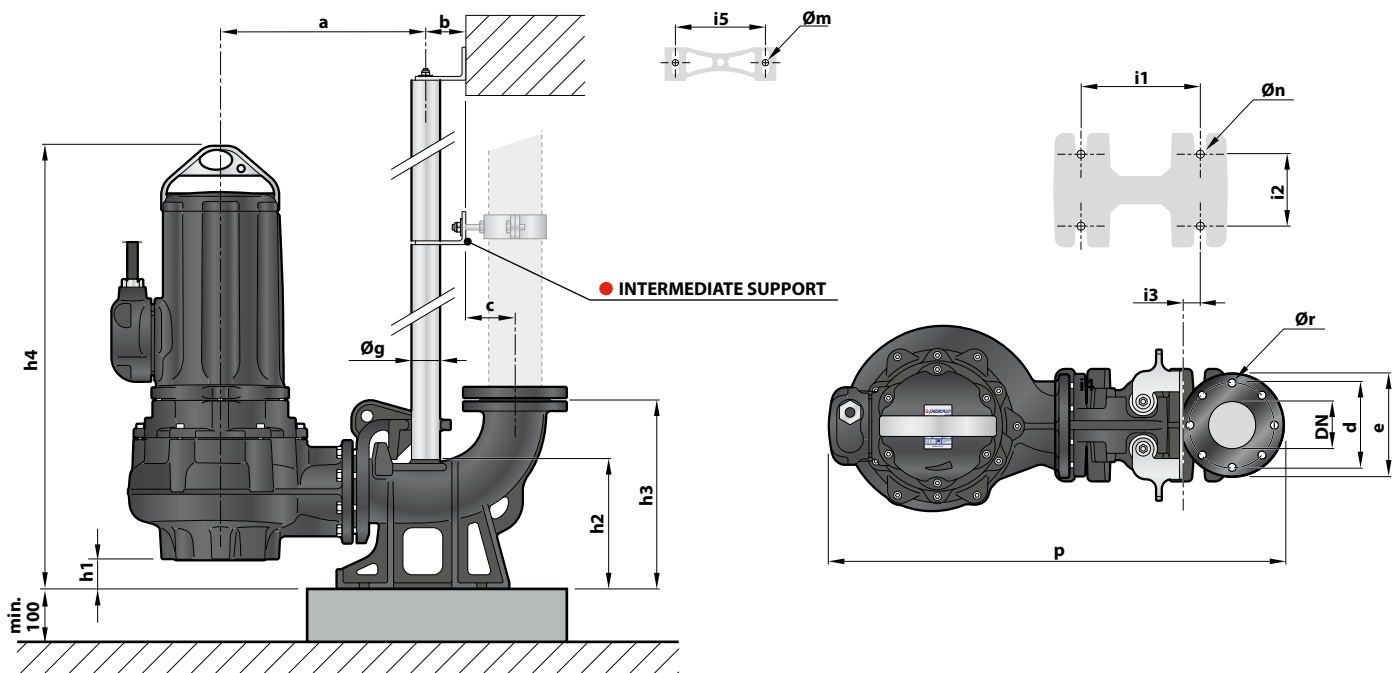
GUIDE TUBES (AISI 304 stainless steel)

Cod. 54SARTG006	Ø 2"
-----------------	------

Maximum length of the tube plank: 6 metres



DIMENSIONS



MODEL	Passage of solids mm	PORT DN	DIMENSIONS mm																	
			a	b	c	d	e	p	h1	h2	h3	h4	i1	i2	i3	i5	$\varnothing g$	$\varnothing m$	$\varnothing n$	$\varnothing r$
Three-phase																				
VXC4 /80	$\varnothing 80$	100	435	85.5	104.5	180	220	965	62	275	400	930	250	150	34	187	2"	13.5	22	18
MC4 /80																				