

Submersible pumps

 Sewage water

 Domestic use



PERFORMANCE RANGE

- Flow rate up to **240 l/min** (14.4 m³/h)
- Head up to **10 m**

APPLICATION LIMITS

- **5 m** maximum immersion depth (with a sufficiently long power cable)
- Maximum liquid temperature **+40 °C** (Maximum liquid temperature +90 °C for a maximum of 3 minutes intermittent service)
- Passage of suspended solids up to **Ø 30 mm**
- Suction down to **35 mm** above ground level
- Continuous service **S1**

CONSTRUCTION AND SAFETY STANDARDS

The pumps are complete with:

- **5 m** long power cable
- Liquid level vertical sliding magnetic float switch (adjustable)

EN 60335-1
IEC 60335-1
CEI 61-150

EN 60034-1
IEC 60034-1
CEI 2-3



CERTIFICATIONS

Company with management system certified DNV
ISO 9001: QUALITY

INSTALLATION AND USE

The **TEX** pump is suitable for use with dirty water that is not chemically aggressive towards the materials from which the pump is made.

Because of the design solutions that have been adopted, such as the complete cooling of the motor and the shaft with double seal, these pumps are easy to use and reliable.

They are suitable for use in applications such as clearing dirty water, emptying tanks, discharging domestic waste water, and for emptying collection traps containing suspended solids up to a maximum of Ø 30 mm.

PATENTS - TRADE MARKS - MODELS

- Registered EU Design n. 005205556
- **TEX[®]** Registered Trade Mark n. 017884160

OPTIONS AVAILABLE ON REQUEST

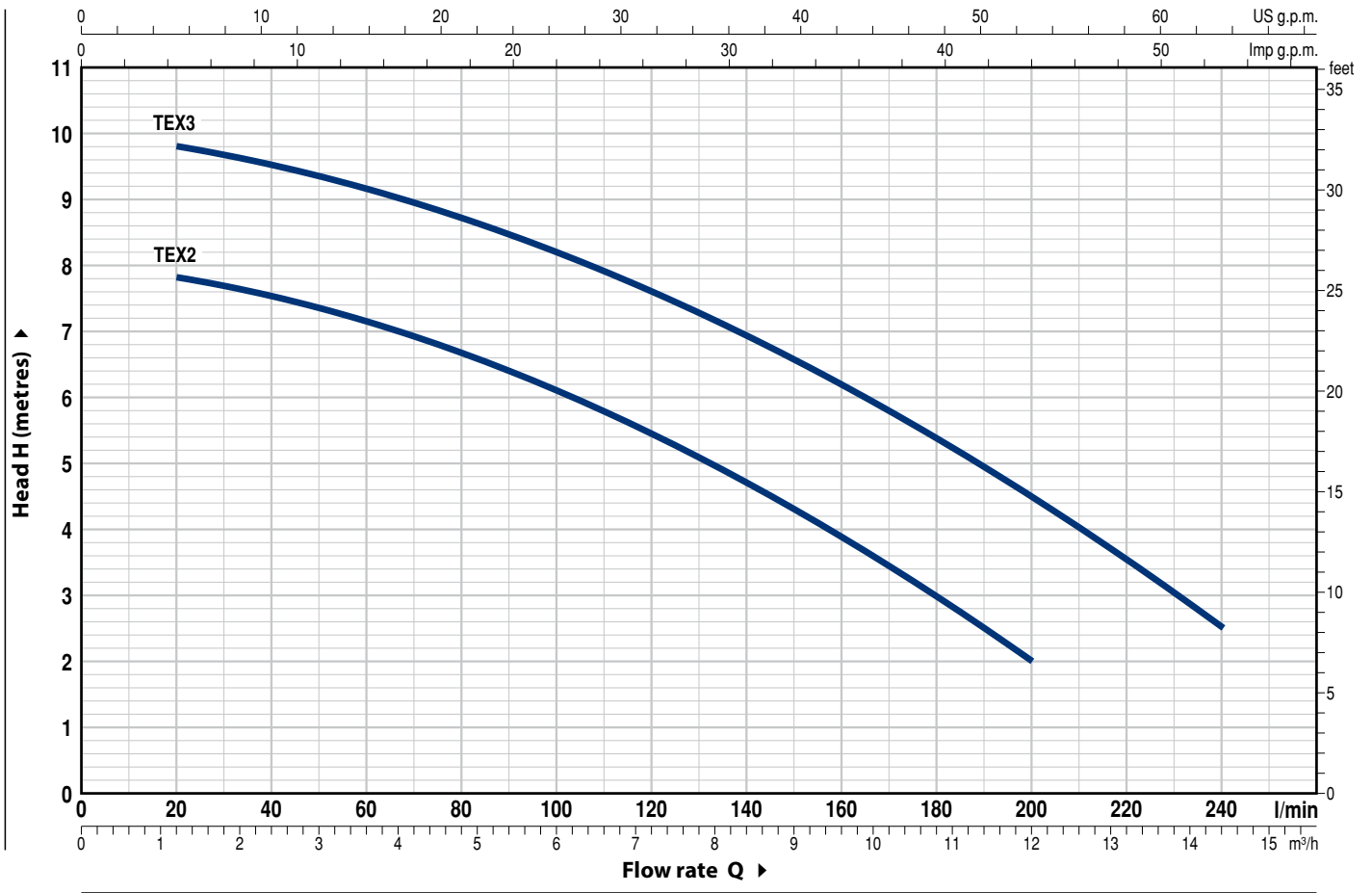
- Special mechanical seal
- Pumps with a **10 m** long power cable.
 - ➔ N.B.: Standard EN 60335-2-41 states that the power cable must be 10 m long for outdoor applications
- Pumps without float switch
- Other voltages

GUARANTEE

2 years subject to terms and conditions

CHARACTERISTIC CURVES AND PERFORMANCE DATA

60 Hz n= 3450 min⁻¹



MODEL Single-phase	POWER (P ₂)		Q	Flow rate														
	kW	HP		m ³ /h	0	1.2	2.4	3.6	4.8	6	7.2	8.4	9.6	10.8	12	13.2	14.4	
TEX 2	0.37	0.50	H metres	8	7.8	7.5	7.1	6.7	6.1	5.4	4.7	3.9	3	2				
TEX 3	0.55	0.75	H metres	10	9.8	9.5	9.2	8.7	8.2	7.6	6.9	6.2	5.4	4.5	3.5	2.5		

Q = Flow rate H = Total manometric head

Tolerance of characteristic curves in compliance with EN ISO 9906 Grade 3B.

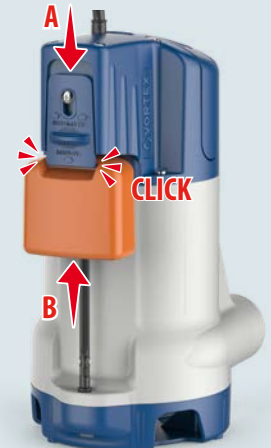
RETRACTABLE HANDLE



AUTOMATIC MODE



MANUAL MODE



POS. COMPONENT CONSTRUCTION CHARACTERISTICS

1 HANDLE	Glass fibre reinforced technopolymer
2 PUMP BODY	Glass fibre reinforced technopolymer complete with threaded delivery port in compliance with ISO 228/1
3 SUCTION FILTER	Technopolymer
4 SUCTION PLATE	Technopolymer
5 IMPELLER	Glass fibre reinforced technopolymer VORTEX type impeller
6 MOTOR CASING	Stainless steel AISI 304
7 MOTOR CASING PLATE	Stainless steel AISI 304
8 MOTOR SHAFT	Stainless steel AISI 431

9 SHAFT WITH DOUBLE SEAL AND OIL CHAMBER

<i>Seal</i>	<i>Shaft</i>	<i>Materials</i>		
		<i>Stationary ring</i>	<i>Rotational ring</i>	<i>Elastomer</i>
Model	Diameter			
STA-12R	Ø 12 mm	Ceramic	Graphite	NBR

10 LIP SEAL **Ø 12 x Ø 19 x H 5 mm**

11 BEARINGS **6201 ZZ / 6201 ZZ**

12 CAPACITOR

<i>Pump</i>	<i>Capacitance</i>
<i>Single-phase</i>	<i>(220 V)</i>
TEX 2	12.5 µF 450 VL
TEX 3	14 µF 450 VL

13 ELECTRIC MOTOR

TEX: single-phase 220 V - 60 Hz with thermal overload protector incorporated into the winding.

- Insulation: class F
- Protection: IP X8

14 POWER CABLE

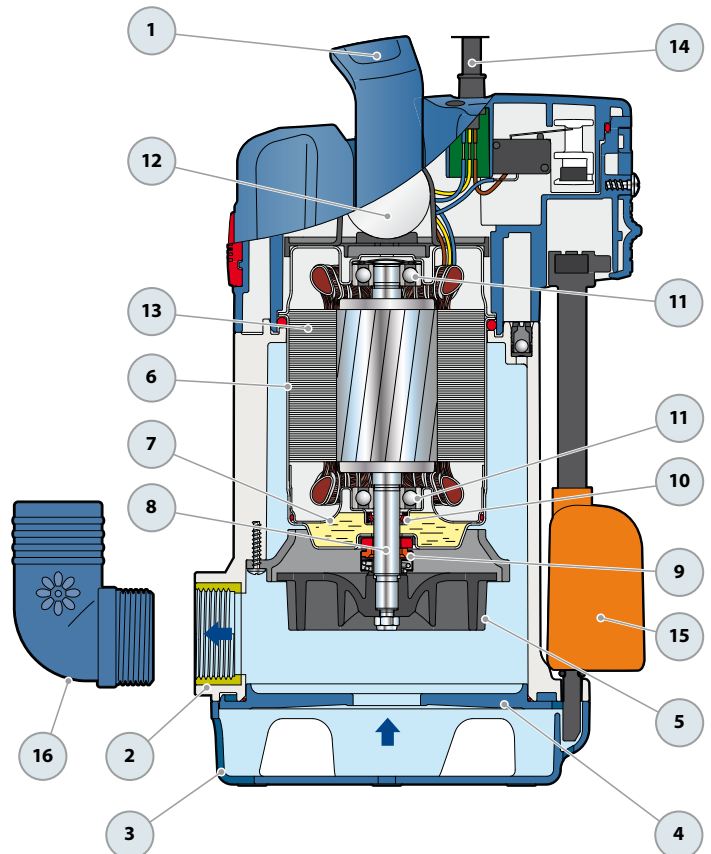
"H07 RN-F" type with Schuko plug
Standard length 5 metres

15 LEVEL FLOAT SWITCH

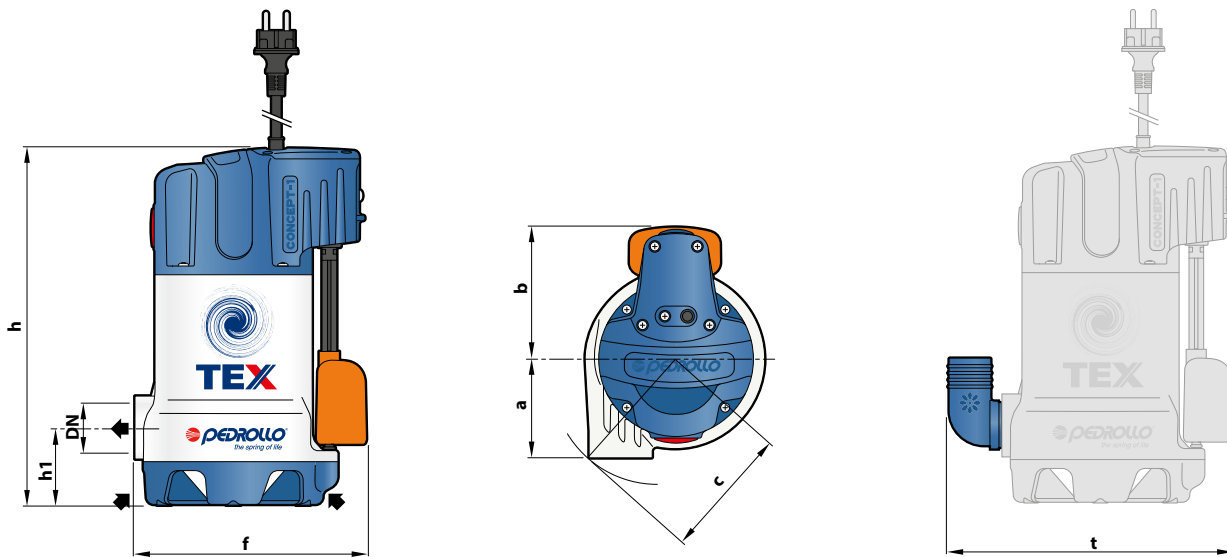
Liquid level vertical sliding magnetic float switch (adjustable)

16 HOSE CONNECTION

Ø 40 mm



DIMENSIONS AND WEIGHT



MODEL	PORT DN	Passage of solids	DIMENSIONS mm											kg		
			a	b	c	f	h1	h	d	e	g	t	p		∅	
Single-phase																1~
TEX 2	1 1/4"	∅ 30 mm	88	117	118	205	69.5	318	35	220	110 or 130	251	350	220	6.5	
TEX 3															6.8	

ABSORPTION

MODEL	VOLTAGE		
	220 V	110 V	127 V
Single-phase			
TEX 2	2.6 A	5.0 A	4.5 A
TEX 3	3.7 A	7.5 A	6.8 A

PALLETIZATION

MODEL	GROUPAGE
Single-phase	
TEX 2	60
TEX 3	60

Typical installation

