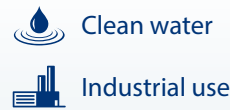


### Pumps with peripheral impeller



Pump body in **BRASS**

The PQ-BS electric pump is supplied fully painted



#### PERFORMANCE RANGE

- Flow rate up to **20 l/min** (1.2 m<sup>3</sup>/h)
- Head up to **100 m**

#### APPLICATION LIMITS

- Manometric suction lift up to **8 m**
- Liquid temperature between **-10 °C** and **+90 °C**
- Ambient temperature between **-10 °C** and **+40 °C**
- Max. working pressure **10 bar**
- Continuous service **S1**

#### CONSTRUCTION AND SAFETY STANDARDS

EN 60335-1  
IEC 60335-1  
CEI 61-150

EN 60034-1  
IEC 60034-1  
CEI 2-3



#### CERTIFICATIONS

Company with management system certified DNV  
ISO 9001: QUALITY

#### INSTALLATION AND USE

Suitable for use with clean water that does not contain abrasive particles and with liquids that are not chemically aggressive towards the materials from which the pump is made. The hydraulic characteristics of these pump, coupled with their compactness, makes them suitable for use in industrial applications. Installation needs to be undertaken in well ventilated closed areas or anyway protected from bad weather.

#### PATENTS - TRADE MARKS - MODELS

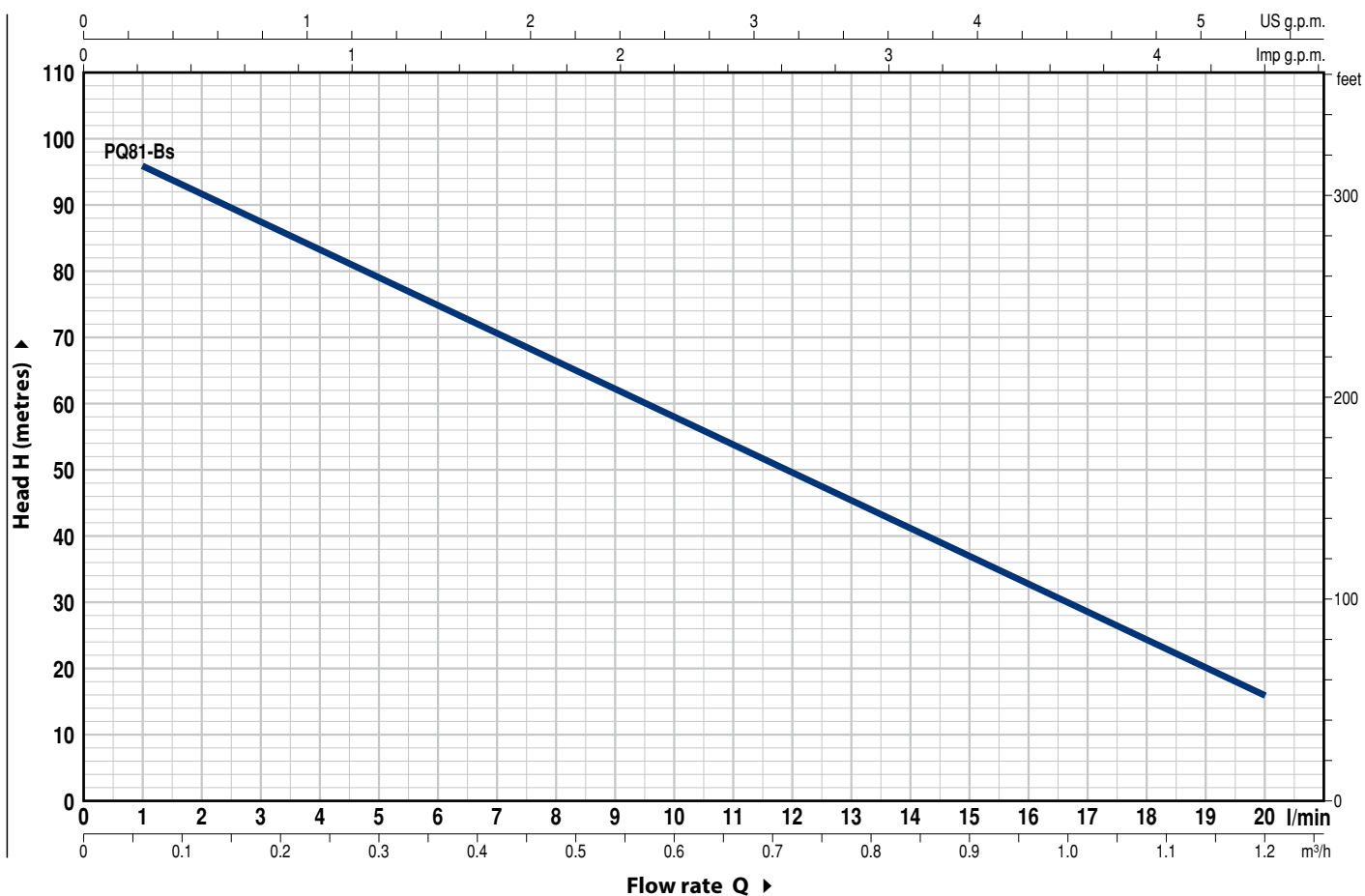
- Motor bracket n° IT1243605
- Registered model

#### OPTIONS AVAILABLE ON REQUEST

- Special mechanical seal
- EN 10088-3 - 1.4401 (AISI 316) stainless steel pump shaft
- Other voltages
- IP X5 protection

## CHARACTERISTIC CURVES AND PERFORMANCE DATA

60 Hz n= 3450 min<sup>-1</sup> HS= 0 m



MODEL		POWER (P <sub>2</sub> )			Q	Flow rate															
Single-phase	Three-phase	kW	HP	▲		m <sup>3</sup> /h	0	0.06	0.12	0.24	0.36	0.48	0.60	0.72	0.84	0.96	1.08	1.2			
					l/min	0	1	2	4	6	8	10	12	14	16	18	20				
PQm 81-Bs	PQ 81-Bs	0.55	0.75	IE3	H metres	100	96	92	84	75	67	58	50	42	33	24	16				

Q = Flow rate H = Total manometric head HS = Suction height

Tolerance of characteristic curves in compliance with EN ISO 9906 Grade 3B.

▲ Three-phase motor efficiency class (IEC 60034-30-1)

# PQ 81-Bs

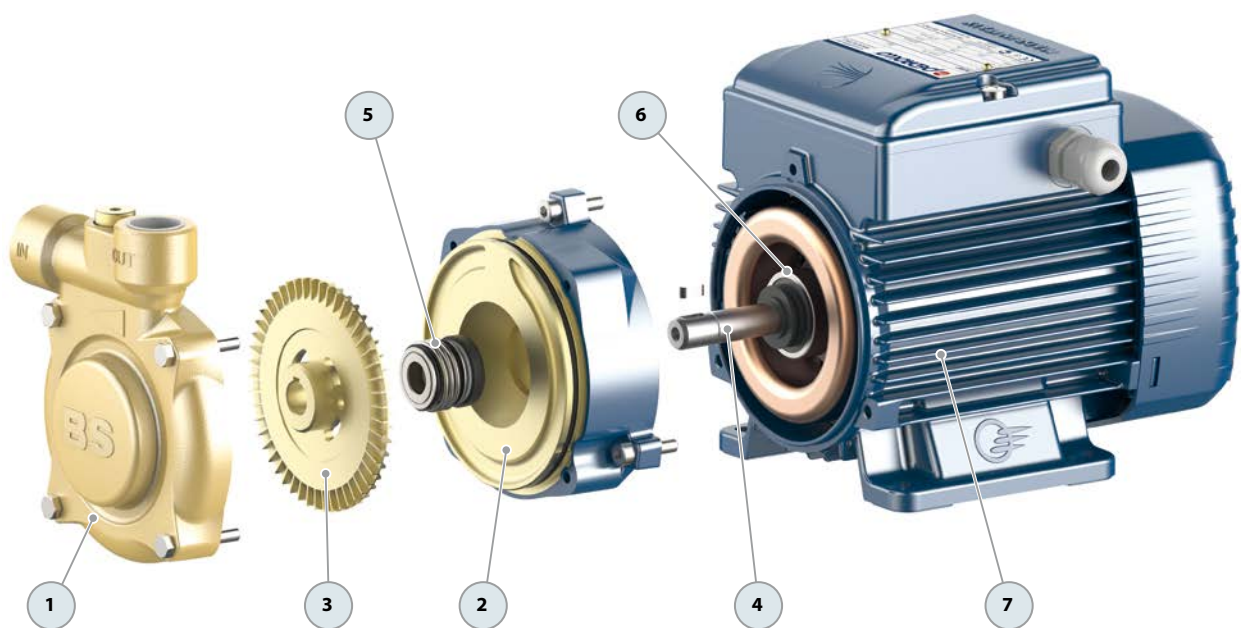
## POS. COMPONENT CONSTRUCTION CHARACTERISTICS

1	<b>PUMP BODY</b>	Brass complete with threaded ports in compliance with ISO 228/1
2	<b>MOTOR BRACKET</b>	Aluminium with brass insert (patented), reduces the risk of impeller seizure
3	<b>IMPELLER</b>	Brass with peripheral radial vanes
4	<b>MOTOR SHAFT</b>	Stainless steel AISI 431

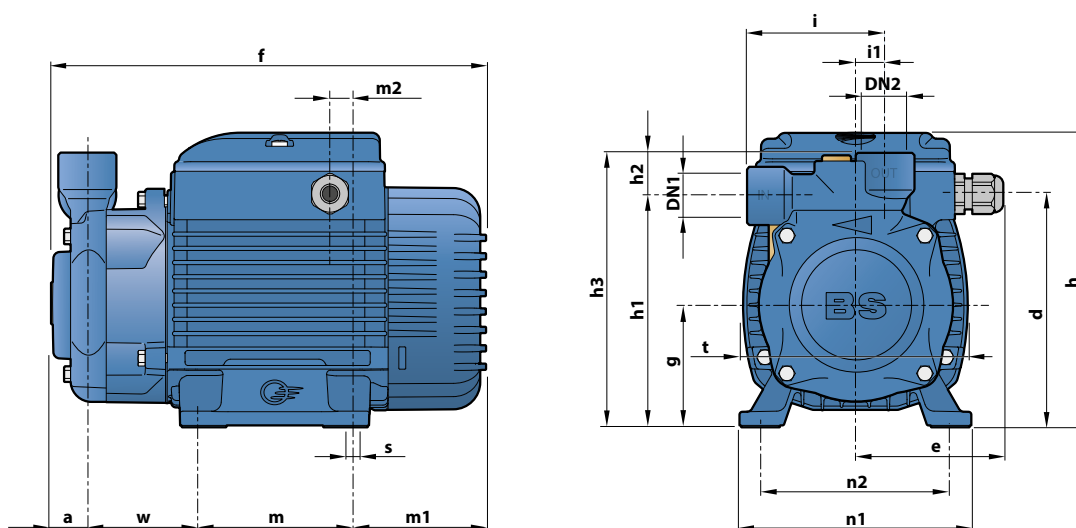
5	MECHANICAL SEAL	Seal	Shaft	Materials		
		Model	Diameter	Stationary ring	Rotational ring	Elastomer
		ST1-12	Ø 12 mm	Silicon carbide	Graphite	NBR

6	<b>BEARINGS</b>	6201 ZZ / 6201 ZZ
---	-----------------	-------------------

7	<b>ELECTRIC MOTOR</b>	<p><b>PQm-Bs:</b> single-phase 220 V - 60 Hz with thermal overload protector incorporated into the winding.  <b>PQ-Bs:</b> three-phase 220/380 V - 60 Hz or 220/440 V - 60 Hz.</p> <p>⇒ <b>The pump is fitted with a high performance motor in class IE3 (IEC 60034-30-1)</b></p> <ul style="list-style-type: none"> <li>- Insulation: class F</li> <li>- Protection: IP X4</li> </ul>
---	-----------------------	--



## DIMENSIONS AND WEIGHT



MODEL		PORTS		DIMENSIONS mm																	kg			
Single-phase	Three-phase	DN1	DN2	a	d	e	f	g	h	h1	h2	h3	i	i1	m	m1	m2	n1	n2	t	w	s	1~	3~
PQm 81-Bs	PQ 81-Bs	½"	½"	18	119.5	76.5	223	63	153	119	22	141	71	15	80	69	8.5	120	100	117	55	7	<b>7.0</b>	<b>7.0</b>

## ABSORPTION

MODEL	VOLTAGE
Single-phase	220 V
PQm 81-Bs	<b>4.3 A</b>

MODEL	VOLTAGE	
Three-phase	220 V	380 V
PQ 81-Bs	<b>2.8 A</b>	<b>1.6 A</b>

## CAPACITORS

MODEL	CAPACITANCE
Single-phase	220 V
PQm 81-Bs	<b>14 μF - 450 VL</b>