

PLURIJET 80-100

Self-priming multi-stage pumps



PLURIJET 80-100

Impellers: **stainless steel AISI 304**



PLURIJET 80X-100X

Impellers: **Noryl**



Clean water



Domestic use



Civil use



PERFORMANCE RANGE

- Flow rate up to **130 l/min** (7.8 m³/h)
- Head up to **52 m**

APPLICATION LIMITS

- Manometric suction lift up to **9 m** (HS)
- Liquid temperature between **-10 °C** and **+40 °C**
- Ambient temperature up to **+40 °C**
- Max. working pressure **6 bar**
- Continuous service **S1**

CONSTRUCTION AND SAFETY STANDARDS

EN 60335-1
IEC 60335-1
CEI 61-150

EN 60034-1
IEC 60034-1
CEI 2-3



CERTIFICATIONS

Company with management system certified DNV
ISO 9001: QUALITY

INSTALLATION AND USE

The self-priming **PLURIJET** pumps are recommended for pumping clean water even in cases where air is present and for liquids which are not chemically aggressive towards the materials from which the pump is made.

Because of their silence, reliability and low energy consumption they are recommended for domestic and civil applications, in particular for pressurising and distributing water in combination with pressure tanks, for the recovery of rain water, for irrigation systems, etc.

Installation needs to be undertaken in well ventilated closed areas or anyway protected from bad weather.

PATENTS - TRADE MARKS - MODELS

- PLURIJET® Registered Trade Mark n. 3974301

OPTIONS AVAILABLE ON REQUEST

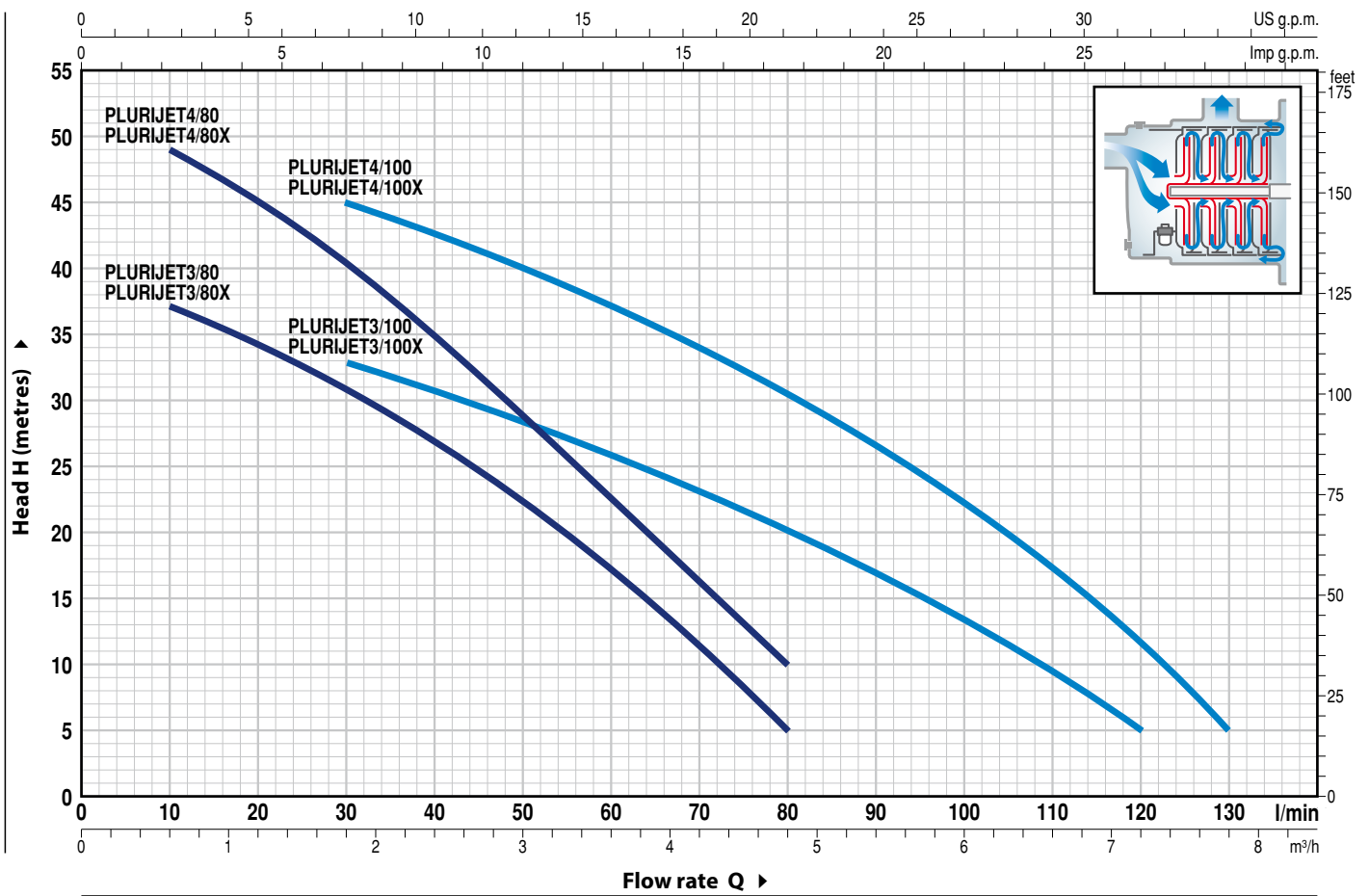
- Other voltages

GUARANTEE

2 years subject to terms and conditions

CHARACTERISTIC CURVES AND PERFORMANCE DATA

60 Hz n = 3450 min⁻¹ HS = 0 m



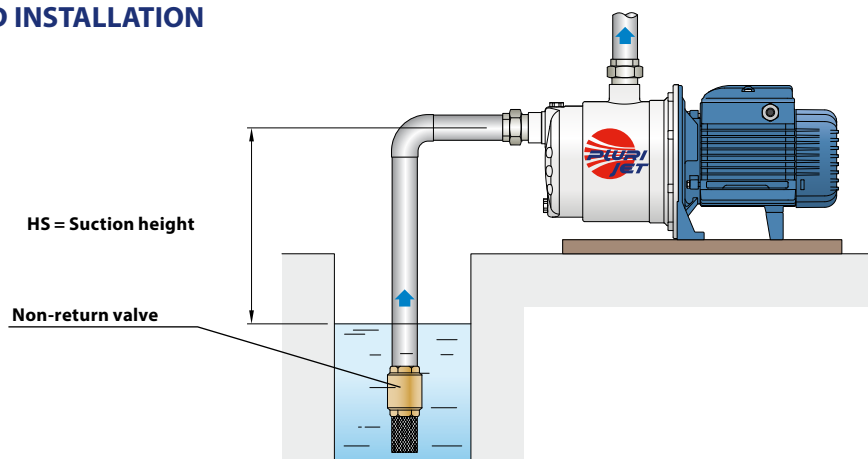
MODEL		POWER (P ₂)			Q	Flow rate																
Single-phase	Three-phase	kW	HP	▲		m ³ /h	0	0.3	0.6	1.2	1.8	2.4	3.0	3.6	4.2	4.8	5.4	6.0	6.6	7.2	7.8	
					l/min	0	5	10	20	30	40	50	60	70	80	90	100	110	120	130		
PLURIJETm 3/80 PLURIJETm 3/80X	PLURIJET 3/80 PLURIJET 3/80X	0.48	0.65	IE2	H metres	40	38	37	34.5	31	27	22.5	17	11	5							
PLURIJETm 4/80 PLURIJETm 4/80X	PLURIJET 4/80 PLURIJET 4/80X	0.55	0.75			52	50	49	44.5	40	34	28.5	22.5	16	10							
PLURIJETm 3/100 PLURIJETm 3/100X	PLURIJET 3/100 PLURIJET 3/100X	0.55	0.75	38		37	36	34.5	33	31	28	26	23	20	17	13.5	10	5				
PLURIJETm 4/100 PLURIJETm 4/100X	PLURIJET 4/100 PLURIJET 4/100X	0.75	1	IE3		50	50	49	47	45	42	39.5	37	34	30.5	26.5	22	17	11	5		

Q = Flow rate H = Total manometric head HS = Suction height

Tolerance of characteristic curves in compliance with EN ISO 9906 Grade 3B.

▲ Three-phase motor efficiency class (IEC 60034-30-1)

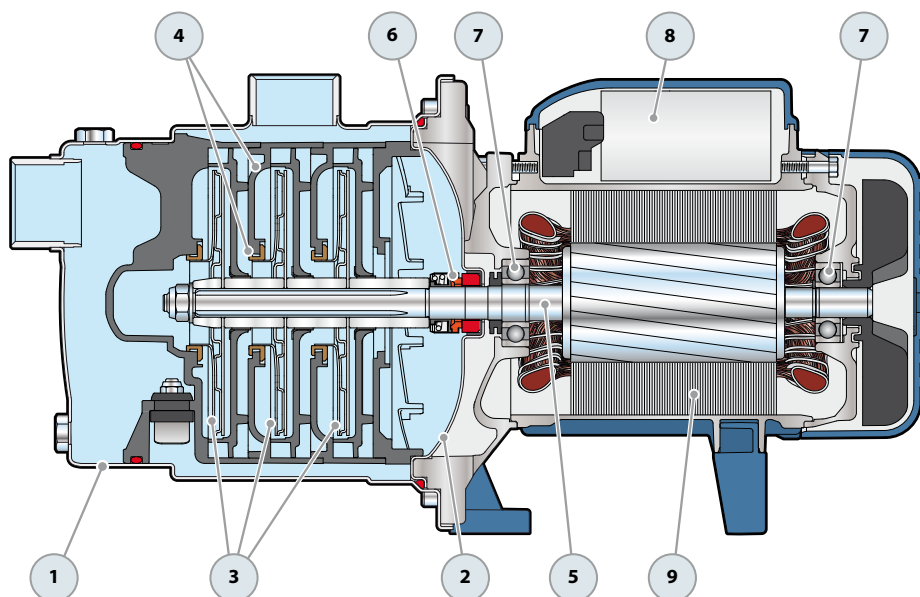
STANDARD INSTALLATION



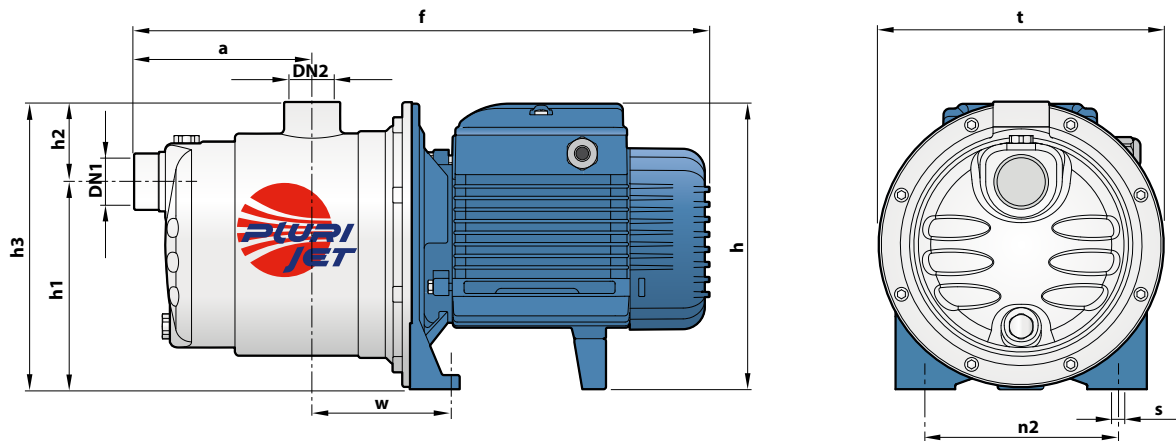
PLURIJET 80-100

POS. COMPONENT CONSTRUCTION CHARACTERISTICS

1	PUMP BODY	Stainless steel AISI 304 complete with threaded ports in compliance with ISO 228/1				
2	BODY BACKPLATE	Stainless steel AISI 304				
3	IMPELLERS	Stainless steel AISI 304				
4	DIFFUSERS	Noryl complete with anti-wear ring				
5	MOTOR SHAFT	Stainless steel AISI 431				
6	MECHANICAL SEAL	<i>Seal Model</i>	<i>Shaft Diameter</i>	<i>Stationary ring</i>	<i>Materials</i> <i>Rotational ring</i>	<i>Elastomer</i>
		AR-13	Ø 13 mm	Ceramic	Graphite	NBR
7	BEARINGS	<i>Pump Model</i>	<i>Model</i>			
		PLURIJET 3/80	6202 ZZ - C3 / 6201 ZZ			
		PLURIJET 3/100	6202 ZZ - C3 / 6201 ZZ			
		PLURIJET 4/80	6203 ZZ / 6203 ZZ			
8	CAPACITOR	<i>Pump Single-phase</i>	<i>Capacitance</i>			
			<i>(220 V)</i>	<i>(110 V or 127 V)</i>		
		PLURIJETm 3/80	12.5 µF - 450 VL	25 µF - 250 VL		
		PLURIJETm 4/80	14 µF - 450 VL	25 µF - 250 VL		
	PLURIJETm 3/100	14 µF - 450 VL	25 µF - 250 VL			
	PLURIJETm 4/100	20 µF - 450 VL	60 µF - 300 VL			
9	ELECTRIC MOTOR	<p>PLURIJETm: single-phase 220 V - 60 Hz with thermal overload protector incorporated into the winding.</p> <p>PLURIJET: three-phase 220/380 V - 60 Hz or 220/440 V - 60 Hz.</p> <p>⇒ The three-phase pumps are fitted with high performance motors up to P₂=0.55 kW in class IE2 and from P₂=0.75 kW in class IE3 (IEC 60034-30-1)</p> <ul style="list-style-type: none"> - Insulation: class F - Protection: IP X4 				



DIMENSIONS AND WEIGHT



MODEL		PORTS		DIMENSIONS mm										kg	
Single-phase	Three-phase	DN1	DN2	a	f	h	h1	h2	h3	t	n2	w	s	1~	3~
PLURIJETm 3/80	PLURIJET 3/80	1"	1"	113	367	182	132	51	183	182	120	87	9	7.8	7.8
PLURIJETm 4/80	PLURIJET 4/80			138	392									8.9	8.4
PLURIJETm 3/100	PLURIJET 3/100			113	367	8.4								7.8	
PLURIJETm 4/100	PLURIJET 4/100			138	410	202 *							10	11.2	11.2

(*) h=221 mm for single-phase versions at 110 V

ABSORPTION

MODEL	VOLTAGE		
	220 V	110 V	127 V
Single-phase			
PLURIJETm 3/80	3.4 A	6.9 A	5.9 A
PLURIJETm 4/80	4.5 A	9.0 A	7.8 A
PLURIJETm 3/100	5.0 A	10.0 A	9.5 A
PLURIJETm 4/100	6.2 A	12.0 A	10.7 A

MODEL	VOLTAGE			
	220 V	380 V	220 V	440 V
Three-phase				
PLURIJET 3/80	2.3 A	1.3 A	2.4 A	1.3 A
PLURIJET 4/80	3.0 A	1.7 A	2.9 A	1.7 A
PLURIJET 3/100	3.0 A	1.7 A	2.9 A	1.7 A
PLURIJET 4/100	4.5 A	2.6 A	4.1 A	2.3 A

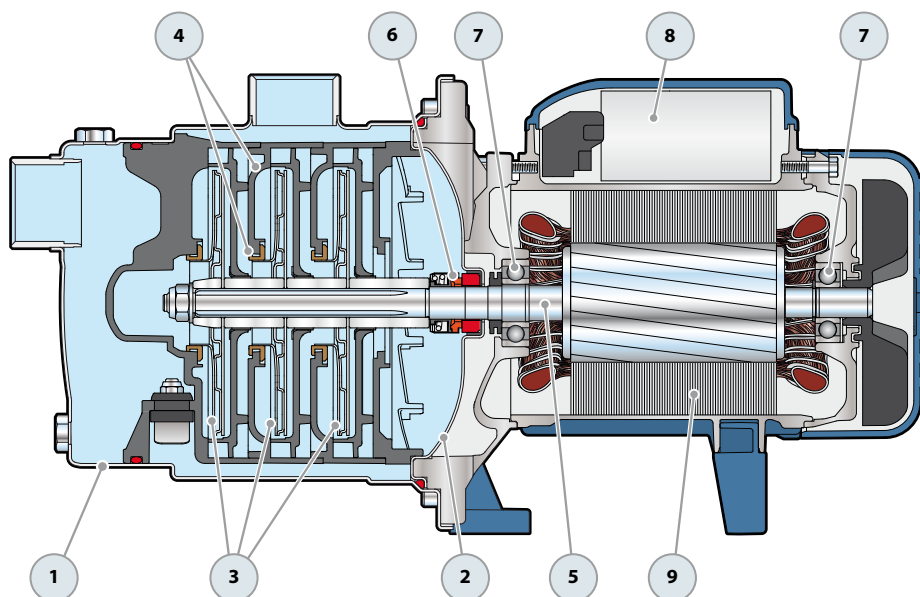
PALLETIZATION

MODEL		GROUPAGE	CONTAINER
Single-phase	Three-phase	n. pumps	n. pumps
PLURIJETm 3/80	PLURIJET 3/80	84	108
PLURIJETm 4/80	PLURIJET 4/80	72	108
PLURIJETm 3/100	PLURIJET 3/100	84	108
PLURIJETm 4/100	PLURIJET 4/100	72	108

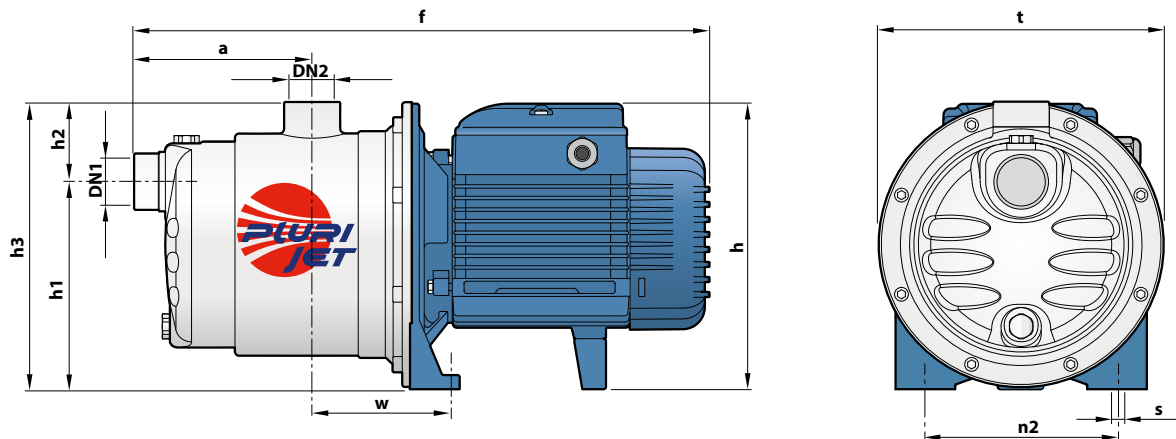
PLURIJET 80X-100X

POS. COMPONENT CONSTRUCTION CHARACTERISTICS

1	PUMP BODY	Stainless steel AISI 304 complete with threaded ports in compliance with ISO 228/1				
2	BODY BACKPLATE	Stainless steel AISI 304				
3	IMPELLERS	Noryl				
4	DIFFUSERS	Noryl complete with anti-wear ring				
5	MOTOR SHAFT	Stainless steel AISI 431				
6	MECHANICAL SEAL	<i>Seal Model</i>	<i>Shaft Diameter</i>	<i>Stationary ring</i>	<i>Materials</i> <i>Rotational ring</i>	<i>Elastomer</i>
		AR-13	Ø 13 mm	Ceramic	Graphite	NBR
7	BEARINGS	<i>Pump</i>	<i>Model</i>			
		PLURIJET 3/80X	6202 ZZ - C3 / 6201 ZZ			
		PLURIJET 3/100X				
		PLURIJET 4/80X	6203 ZZ / 6203 ZZ			
		PLURIJET 4/100X				
8	CAPACITOR	<i>Pump</i>	<i>Capacitance</i>			
		<i>Single-phase</i>	<i>(220 V)</i>	<i>(110 V or 127 V)</i>		
		PLURIJETm 3/80X	12.5 µF - 450 VL	25 µF - 250 VL		
		PLURIJETm 4/80X	14 µF - 450 VL	25 µF - 250 VL		
		PLURIJETm 3/100X	20 µF - 450 VL	60 µF - 300 VL		
		PLURIJETm 4/100X				
9	ELECTRIC MOTOR	<p>PLURIJETm: single-phase 220 V - 60 Hz with thermal overload protector incorporated into the winding.</p> <p>PLURIJET: three-phase 220/380 V - 60 Hz or 220/440 V - 60 Hz.</p> <p>⇒ The three-phase pumps are fitted with high performance motors up to P₂=0.55 kW in class IE2 and from P₂=0.75 kW in class IE3 (IEC 60034-30-1)</p> <ul style="list-style-type: none"> - Insulation: class F - Protection: IP X4 				



DIMENSIONS AND WEIGHT



MODEL		PORTS		DIMENSIONS mm										kg	
Single-phase	Three-phase	DN1	DN2	a	f	h	h1	h2	h3	t	n2	w	s	1~	3~
PLURIJETm 3/80X	PLURIJET 3/80X	1"	1"	113	367	182	132	51	183	182	120	87	9	7.3	7.3
PLURIJETm 4/80X	PLURIJET 4/80X			138	392									8.2	7.5
PLURIJETm 3/100X	PLURIJET 3/100X			113	367									7.9	7.3
PLURIJETm 4/100X	PLURIJET 4/100X			138	410	202 *							10	10.5	10.5

(*) h=221 mm for single-phase versions at 110 V

ABSORPTION

MODEL	VOLTAGE		
	220 V	110 V	127 V
Single-phase			
PLURIJETm 3/80X	3.4 A	6.9 A	5.9 A
PLURIJETm 4/80X	4.5 A	9.0 A	7.8 A
PLURIJETm 3/100X	5.0 A	10.0 A	9.5 A
PLURIJETm 4/100X	6.2 A	12.0 A	10.7 A

MODEL	VOLTAGE			
	220 V	380 V	220 V	440 V
Three-phase				
PLURIJET 3/80X	2.3 A	1.3 A	2.4 A	1.3 A
PLURIJET 4/80X	3.0 A	1.7 A	2.9 A	1.7 A
PLURIJET 3/100X	3.0 A	1.7 A	2.9 A	1.7 A
PLURIJET 4/100X	4.5 A	2.6 A	4.1 A	2.3 A

PALLETIZATION

MODEL		GROUPAGE	CONTAINER
Single-phase	Three-phase	n. pumps	n. pumps
PLURIJETm 3/80X	PLURIJET 3/80X	84	108
PLURIJETm 4/80X	PLURIJET 4/80X	72	108
PLURIJETm 3/100X	PLURIJET 3/100X	84	108
PLURIJETm 4/100X	PLURIJET 4/100X	72	108