

Multi-stage submersible pumps



-  Clean water
(Maximum sand content 150 g/m³)
-  Domestic use
-  Civil use
-  Agricultural use

PERFORMANCE RANGE

- Flow rate up to **150 l/min** (9.0 m³/h)
- Head up to **92 m**

APPLICATION LIMITS

- Maximum liquid temperature **+40 °C**
- Maximum sand content **150 g/m³**
- **20 m** maximum immersion depth (with a sufficiently long power cable)
- Continuous service **S1**

CONSTRUCTION AND SAFETY STANDARDS

- **10 m** long power cable
- Float switch for single-phase versions

EN 60335-1
IEC 60335-1
CEI 61-150

EN 60034-1
IEC 60034-1
CEI 2-3



CERTIFICATIONS

Company with management system certified DNV ISO 9001: QUALITY

INSTALLATION AND USE

Because of their high efficiency and reliability they are suitable for use with clean water in domestic, civil and agricultural applications such as the distribution of water in combination with pressure tanks, for the irrigation of gardens and orchards and for pressure boosting, etc.

PATENTS - TRADE MARKS - MODELS

- Patent n. EP14755156.8
- Patent n. EP2313658

OPTIONS AVAILABLE ON REQUEST

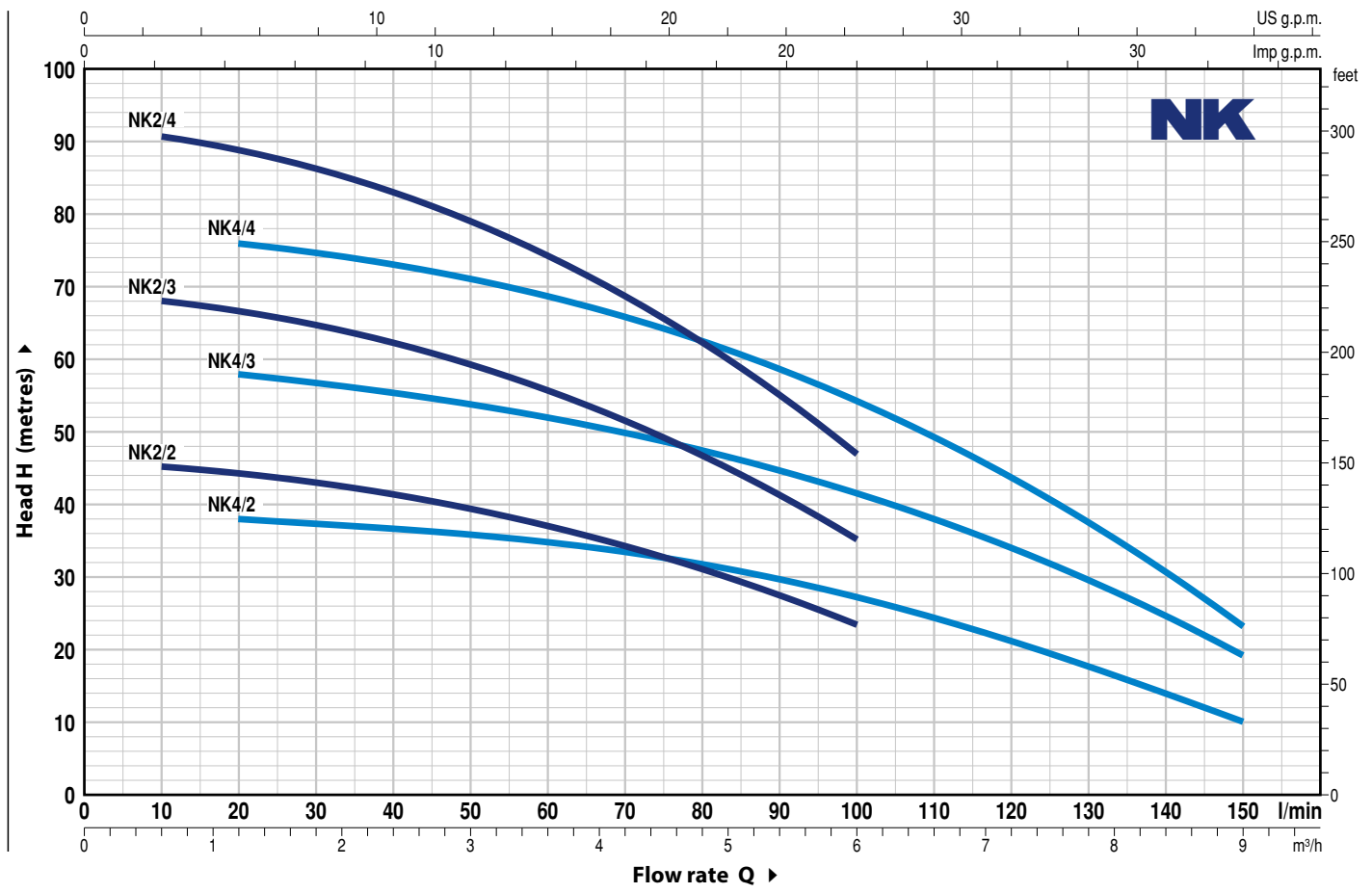
- Pumps without float switch
- Pumps fitted with power cables of other lengths
- Other voltages

GUARANTEE

2 years subject to terms and conditions

CHARACTERISTIC CURVES AND PERFORMANCE DATA

60 Hz n= 3450 min⁻¹



MODEL		POWER (P ₂)		Q	H metres									
Single-phase	Three-phase	kW	HP		m ³ /h	0	0.6	1.2	2.4	3.6	4.8	6.0	7.2	9.0
				l/min	0	10	20	40	60	80	100	120	150	
NKm 2/2 GE	NK 2/2	0.75	1	H metres	46	45.5	44.5	41.5	37	31	23.5			
NKm 2/3 GE	NK 2/3	1.1	1.5		69	68	66.5	62.5	55.5	47	35			
NKm 2/4 GE	NK 2/4	1.5	2		92	91	89	83	74	62.5	47			
NKm 4/2 GE	NK 4/2	0.75	1		40	-	38	36.5	35	32	27	21	10	
NKm 4/3 GE	NK 4/3	1.1	1.5		60	-	58	55.5	52	47.5	41.5	34	19	
NKm 4/4 GE	NK 4/4	1.5	2		78	-	76	73	68.5	62.5	54	43.5	23	

Q = Flow rate H = Total manometric head

Tolerance of characteristic curves in compliance with EN ISO 9906 Grade 3B.

➡ Single-phase pumps without float switch on request

POS. COMPONENT

CONSTRUCTION CHARACTERISTICS

1	EXTERNAL SLEEVE	Stainless steel AISI 304 complete with threaded delivery port in compliance with ISO 228/1
2	SUCTION FILTER	Stainless steel AISI 304 complete with anti-vibration supports
3	MOTOR SLEEVE	Stainless steel AISI 304
4	IMPELLERS AND DIFFUSERS	Noryl
5	DIAPHRAGMS	Stainless steel AISI 304
6	MOTOR SHAFT	Stainless steel AISI 431

7 TWO MECHANICAL SEALS SEPARATED BY AN OIL CHAMBER

Seal Model	Shaft Diameter	Position	Materials		
			Stationary ring	Rotational ring	Elastomer
STA-17	Ø 17 mm	Motor side	Ceramic	Graphite	NBR
ST1-16	Ø 16 mm	Pump side	Silicon carbide	Graphite	NBR

8 BEARINGS 6303 2RS - C3 / 6203 ZZ - C3E

9 CAPACITOR

Pump Single-phase	Capacitance (220 V)
NKm 2/2 GE	16 µF - 500 VL
NKm 4/2 GE	
NKm 2/3 GE	25 µF - 450 VL
NKm 4/3 GE	
NKm 2/4 GE	35 µF - 450 VL
NKm 4/4 GE	

10 ELECTRIC MOTOR

- NKm: single-phase 220 V - 60 Hz with thermal overload protector incorporated into the winding.
- NK: three-phase 380 V - 60 Hz.
- Insulation: class F
- Protection: IP X8

11 POWER CABLE

- DRINCABLE® type approved for use in drinking water by "WRAS" in compliance with BS 6920, approval n. 7513

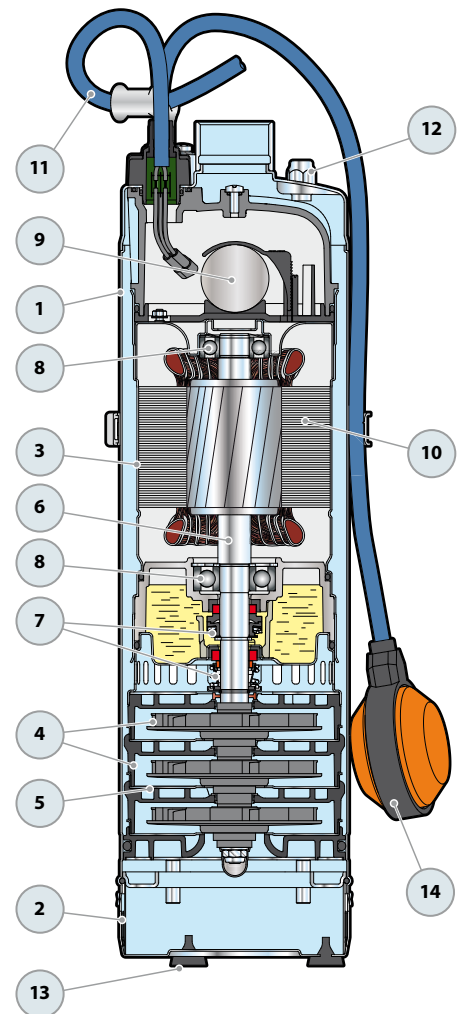
Standard length 10 metres

12 AUTOMATIC VENT VALVE

13 ANTI-VIBRATION SUPPORTS

14 FLOAT SWITCH

(only for single-phase versions)



DIMENSIONS AND WEIGHT

MODEL		PORT DN	N. STAGES	DIMENSIONS mm		kg	
Single-phase	Three-phase			∅	h	1~	3~
NKm 2/2 GE	NK 2/2	1 1/4"	2	135	459	15.2	15.0
NKm 2/3 GE	NK 2/3		3		516	18.0	17.2
NKm 2/4 GE	NK 2/4		4		563	20.2	19.2
NKm 4/2 GE	NK 4/2		2		459	15.2	15.0
NKm 4/3 GE	NK 4/3		3		516	18.0	17.2
NKm 4/4 GE	NK 4/4		4		563	20.2	19.2



ABSORPTION

MODEL	VOLTAGE
Single-phase	220 V
NKm 2/2 GE	5.8 A
NKm 2/3 GE	8.2 A
NKm 2/4 GE	10.0 A
NKm 4/2 GE	5.8 A
NKm 4/3 GE	7.7 A
NKm 4/4 GE	10.2 A

MODEL	VOLTAGE	
Three-phase	220 V	380 V
NK 2/2	3.8 A	2.2 A
NK 2/3	5.3 A	3.1 A
NK 2/4	6.0 A	3.5 A
NK 4/2	3.8 A	2.3 A
NK 4/3	5.3 A	3.1 A
NK 4/4	6.0 A	3.5 A

PALLETIZATION

MODEL		GROUPAGE	CONTAINER
Single-phase	Three-phase	n. pumps	n. pumps
NKm 2/2 GE	NK 2/2	30	54
NKm 2/3 GE	NK 2/3	30	54
NKm 2/4 GE	NK 2/4	25	45
NKm 4/2 GE	NK 4/2	30	54
NKm 4/3 GE	NK 4/3	30	54
NKm 4/4 GE	NK 4/4	25	45