

 Sewage water

 Domestic use

 Civil use


### PERFORMANCE RANGE

- Flow rate up to **750 l/min** (45 m<sup>3</sup>/h)
- Head up to **15 m**

### APPLICATION LIMITS

- **10 m** maximum immersion depth (with a sufficiently long power cable)
- Maximum liquid temperature **+40 °C**
- Passage of suspended solids up to **Ø 50 mm**
- Minimum immersion depth for continuous service: **300 mm**

### CONSTRUCTION AND SAFETY STANDARDS

- **10 m** long power cable
- Float switch for single-phase versions

EN 60335-1  
IEC 60335-1  
CEI 61-150

EN 60034-1  
IEC 60034-1  
CEI 2-3



### CERTIFICATIONS

Company with management system certified DNV  
ISO 9001: QUALITY

### INSTALLATION AND USE

**MC** series pumps, made from heavy gauge cast iron offering exceptional sturdiness, abrasion resistance and durability, come equipped with a **DOUBLE-CHANNEL** impeller and are capable of pumping liquids containing short fibred suspended solids up to Ø 50 mm.

Recommended for conveying **drained water and sewage, waste water, water mixed with mud, groundwater and surface water** for applications in blocks of flats, industries, multi-storey and underground car parks, wash areas, etc.

### PATENTS - TRADE MARKS - MODELS

- Patent n. EP2313658
- Patent n. IT0001428923
- Registered EU Design n. 002501486-0003

### OPTIONS AVAILABLE ON REQUEST

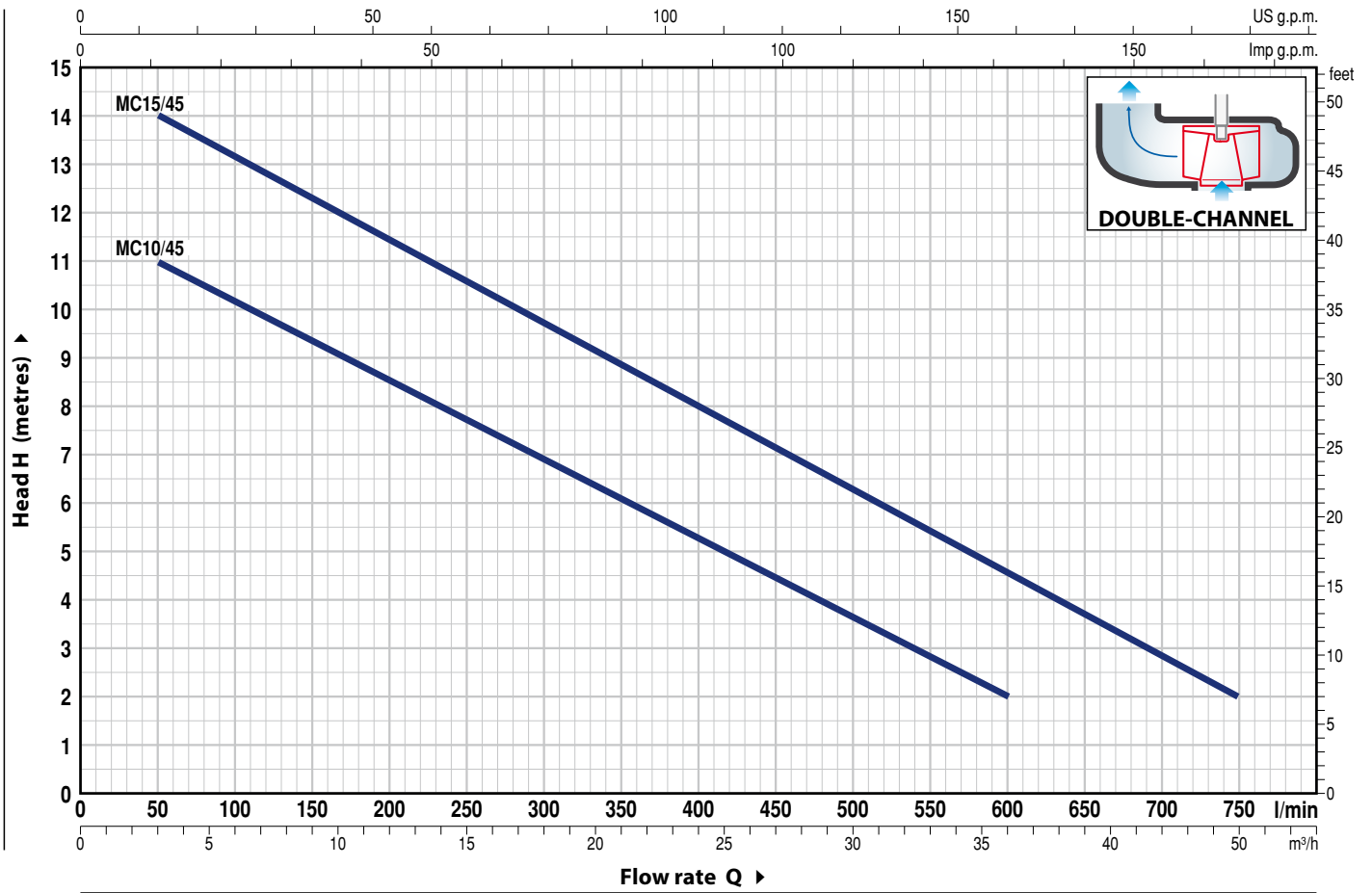
- Single-phase pumps without float switch
- Other voltages

### GUARANTEE

2 years subject to terms and conditions

### CHARACTERISTIC CURVES AND PERFORMANCE DATA

60 Hz n= 3450 min<sup>-1</sup>



MODEL		POWER (P <sub>2</sub> )		Q	0	3	6	12	18	24	30	36	42	45
Single-phase	Three-phase	kW	HP		0	50	100	200	300	400	500	600	700	750
MCm 10/45	MC 10/45	0.75	1	H metres	12	11	10	8.5	7	5	3.5	2		
MCm 15/45	MC 15/45	1.1	1.5		15	14	13	11.5	9.7	8	6.3	4.5	3	2

Q = Flow rate H = Total manometric head

Tolerance of characteristic curves in compliance with EN ISO 9906 Grade 3B.

## POS. COMPONENT CONSTRUCTION CHARACTERISTICS

1	<b>PUMP BODY</b>	Cast iron with an Epoxy Electro Coating treatment, with threaded port in compliance with ISO 228/1
2	<b>BASE</b>	Stainless steel AISI 304
3	<b>IMPELLER</b>	Precision cast stainless steel AISI 304 DOUBLE-CHANNEL type
4	<b>MOTOR CASING</b>	Cast iron with an Epoxy Electro Coating treatment
5	<b>MOTOR CASING PLATE</b>	Stainless steel AISI 304
6	<b>MOTOR SHAFT</b>	Stainless steel AISI 431

### 7 SHAFT WITH DOUBLE MECHANICAL SEAL SEPARATED BY AN OIL CHAMBER

Seal Model	Shaft Diameter	Position	Materials		
			Stationary ring	Rotational ring	Elastomer
MG1-14D SIC	Ø 14 mm	Motor side	Silicon carbide	Graphite	NBR
		Pump side	Silicon carbide	Silicon carbide	NBR

### 8 BEARINGS 6203 ZZ / 6203 ZZ

### 9 CAPACITOR

Pump	Capacitance	
Single-phase	(220 V)	(110 V or 127 V)
MCm 10/45	20 µF - 450 VL	30 µF - 250 VL
MCm 15/45	25 µF - 450 VL	-

### 10 ELECTRIC MOTOR

**MCm:** single-phase 220 V - 60 Hz  
with thermal overload protector incorporated into the winding

**MC:** three-phase 380 V - 60 Hz

- Insulation: class F
- Protection: IP X8

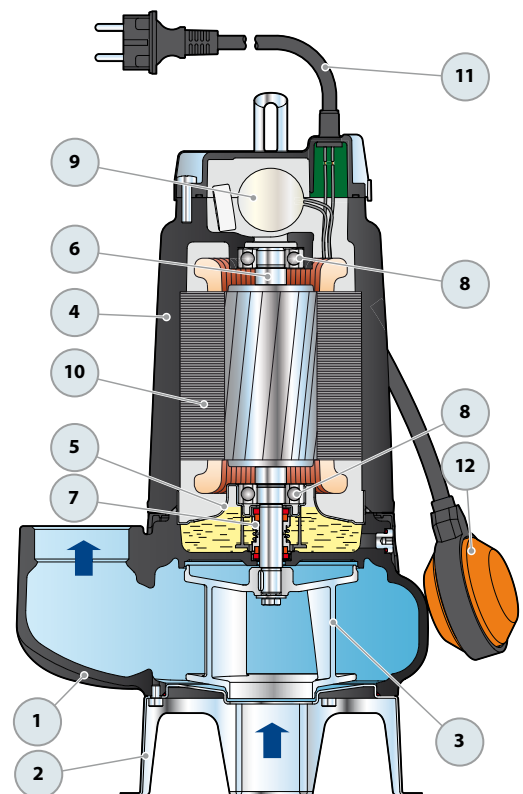
### 11 POWER CABLE

"H07 RN-F" type  
(with Schuko plug for single-phase versions only)

**Standard length 10 metres**

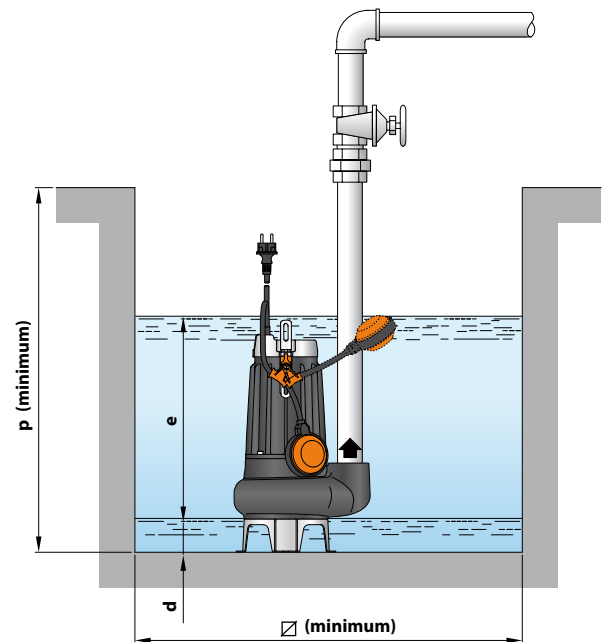
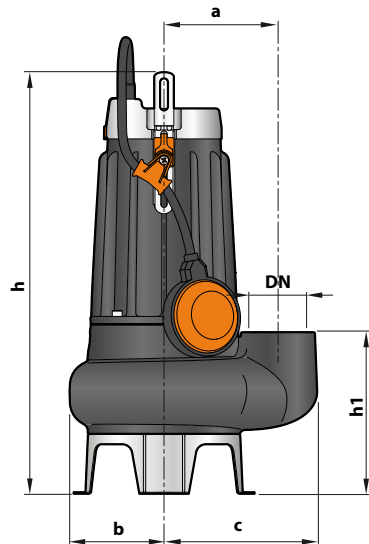
### 12 FLOAT SWITCH

(only for single-phase versions)



## DIMENSIONS AND WEIGHT

### Standard installation



MODEL		PORT DN	Passage of solids	DIMENSIONS mm									kg	
Single-phase	Three-phase			a	b	c	h	h1	d	e	p	∅	1~	3~
MCm 10/45	MC 10/45	2"	∅ 50 mm	115	95	155	413	164	60	variable	500	500	18.8	17.7
MCm 15/45	MC 15/45						428							

## ABSORPTION

MODEL	VOLTAGE		
	Single-phase	220 V	110 V
MCm 10/45	5.6 A	11.2 A	9.7 A
MCm 15/45	8.8 A	17.6 A	15.2 A

MODEL	VOLTAGE		
	Three-phase	220 V	380 V
MC 10/45	4.2 A	2.4 A	2.1 A
MC 15/45	6.6 A	3.8 A	3.3 A

## PALLETIZATION

MODEL		GROUPAGE n. pumps	CONTAINER n. pumps
Single-phase	Three-phase		
MCm 10/45	MC 10/45	54	72
MCm 15/45	MC 15/45	54	72