

COMBIPRESS "CB2"

Pressure boosting sets

 Domestic use

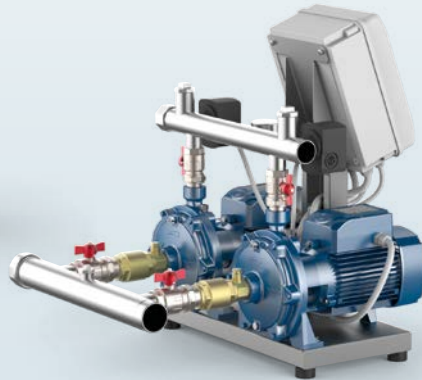
 Agricultural use

 Civil use

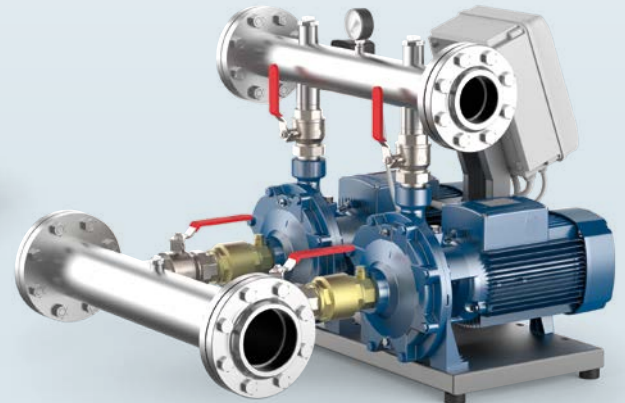
 Industrial use



CB2 - MK



CB2 - 2CP



CB2 - 2CP

OPERATING PRINCIPLE

COMBIPRESS are pressure boosting sets consisting of two pumps assembled in a ready to be mounted unit.

The sets are arranged so that, at each increase in demand by the users, one or both pumps in succession start automatically. The operation of the number of pumps necessary to satisfy the demand for water results in a marked reduction in power consumption.

The electronic circuit in the control box alternates the operation of the pumps.

USES

- Clean water and chemically non-aggressive liquids.
- Water supply: pressure boosting in industrial applications, blocks of flats, hotels, communities, water treatment plants, campsites, schools, hospitals, barracks, etc.
- Irrigation: playing fields in general (football, golf, etc), agriculture, artificial snow systems.

CONSTRUCTION CHARACTERISTICS

- **PUMPS** complete with intake and exhaust manifolds, spherical valves and non-return valves.
- **BLOCK** constructed from a metal section.
- **COMPONENTS** of command and control installed on the exhaust manifold and consisting of a pressure gauge and two pressure switches which can be set by the user (the factory setting is regulated based on the average use of the set).
- **CONTROL BOX** fitted with a gate block switch, a low voltage pressure switch control circuit, an electronic circuit to alternate the operation of the pumps, an amperometric protection (overload cut-out) and an anti-rebound system at the start of the pumps (to avoid continuous false starts in the case of short and limited requests by the user).

CB2m: single-phase 220 V - 60 Hz.

CB2: three-phase 220/380 V - 60 Hz or 220/440 V - 60 Hz.

CONSTRUCTION AND SAFETY STANDARDS

EN 60335-1
IEC 60335-1
CEI 61-150

EN 60034-1
IEC 60034-1
CEI 2-3



CERTIFICATIONS

Company with management system certified DNV
ISO 9001: QUALITY



PERFORMANCE DATA

60 Hz n= 3450 min⁻¹ HS= 0 m

MODEL	1~	3~	POWER (P ₂)		▲	Q* m ³ /h l/min	0	1.2	2.4	4.8	7.2	9.6	12	14.4	16.8	19.2	21.6		
			kW	HP			0	20	40	80	120	160	200	240	280	320	360		
CB2 - MK 3/3	●	●	2 x 0.75	2 x 1	IE3	H metres	52	50	49	45	38	28							
CB2 - MK 3/4	●	●	2 x 1.1	2 x 1.5			69.5	67	65.5	60	50.5	38							
CB2 - MK 3/5	●	●	2 x 1.1	2 x 1.5			87	83	82	75	63.5	47							
CB2 - MK 3/6	●	●	2 x 1.5	2 x 2			104	100	98	90	76	56							
CB2 - MK 5/4	●	●	2 x 1.1	2 x 1.5	IE3		56	-	55	52.5	48	41.5	32	20					
CB2 - MK 5/5	●	●	2 x 1.1	2 x 1.5			70	-	69	66	60	51.5	40	25					
CB2 - MK 5/6	●	●	2 x 1.5	2 x 2			84	-	83	79	72	62	48	30					
CB2 - MK 5/7		●	2 x 1.8	2 x 2.5			98	-	96	92.5	84	72.5	56	34					
CB2 - MK 5/8		●	2 x 2.2	2 x 3	112		-	110	105.5	96	82.5	64	40						
CB2 - MK 8/4	●	●	2 x 1.5	2 x 2	IE3		56	-	-	54	52	50	46	39	31.5	24	15		
CB2 - MK 8/5		●	2 x 1.8	2 x 2.5			70	-	-	67.5	66	63	58	50	40	30	18		
CB2 - MK 8/6		●	2 x 2.2	2 x 3			86	-	-	82	78	74	68	58	46.5	35	20		

MODEL	1~	3~	POWER (P ₂)		▲	Q* m ³ /h l/min	0	0.6	1.2	2.4	3.6	4.8	7.2	8.4	9.6	10.8	12.0	13.2	14.4	15.6
			kW	HP			0	10	20	40	60	80	120	140	160	180	200	220	240	260
CB2 - 4CP 100	●		2 x 0.75	2 x 1	IE3	H metres	50	50	49	47	45	42	37	34	30.5	26.5	22	17	11	5

MODEL	1~	3~	POWER (P ₂)		▲	Q* m ³ /h l/min	0	0.6	1.2	2.4	3.6	4.8	6	7.2	8.4	9.6	10.8	12	13.2	14.4	15.6
			kW	HP			0	10	20	40	60	80	100	120	140	160	180	200	220	240	260
CB2 - 3CRm80	●		2 x 0.45	2 x 0.60	IE2	H metres	40	38	37	34.5	31	27	22.5	17	11	5					
CB2 - 4CRm80	●		2 x 0.55	2 x 0.75			52	50	49	44.5	40	34	28.5	22.5	16	10					
CB2 - 5CRm80	●		2 x 0.75	2 x 1	IE3		67	66	64	59	53	45.5	37.5	29.5	20.5	12					
CB2 - 4CRm100	●		2 x 0.75	2 x 1			50	50	49	47	45	42	39.5	37	34	30.5	26.5	22	17	11	5
CB2 - 5CRm100	●		2 x 1.1	2 x 1.5	63		62	61.5	59.5	57	53.5	50.5	46.5	42.5	38	33	28	22	15	8	

MODEL	1~	3~	POWER (P ₂)		▲	Q* m ³ /h l/min	0	2.4	4.8	7.2	9.6	12.0	13.2	14.4	16.8	19.2	21.6	24.0	30.0	36.0	42.0	48.0	
			kW	HP			0	40	80	120	160	200	220	240	280	320	360	400	500	600	700	800	
CB2 - 2CP 25/130	●	●	2 x 0.75	2 x 1	IE3	H metres	42	39	34	28.5	22	15											
CB2 - 2CP 25/14B	●	●	2 x 1.1	2 x 1.5			54	52	47.5	41	33	22											
CB2 - 2CP 25/16C	●	●	2 x 1.1	2 x 1.5			47	46	44	40	35	30	27	24									
CB2 - 2CP 25/16B	●	●	2 x 1.5	2 x 2			58	56	54	51	47	43	40	37	30								
CB2 - 2CP 25/16A		●	2 x 2.2	2 x 3	68		67	64.5	62	58	54	51	48	41	32								
CB2 - 2CP 32/200C		●	2 x 3	2 x 4	IE3		70	-	66.5	65	63	60.5	59	58	55	52	49.5	46.5	36				
CB2 - 2CP 32/200B		●	2 x 4	2 x 5.5			85	-	81	79	77	75	74	72	69	66	62	58	49				
CB2 - 2CP 32/210B		●	2 x 5.5	2 x 7.5			94	-	94	93	91	89	87	86	83	79	75	70	56				
CB2 - 2CP 32/210A		●	2 x 7.5	2 x 10			112	-	111	110.5	110	108	107	106	102	99	94	89	74				
CB2 - 2CP 40/180C		●	2 x 4	2 x 5.5	IE3		64	-	-	-	-	62	61.3	60.5	59	57.5	56	54.5	49	43	35		
CB2 - 2CP 40/180B		●	2 x 5.5	2 x 7.5			76	-	-	-	-	73	72.5	72	71	70	69	67.5	64	59.5	54	46	
CB2 - 2CP 40/180A		●	2 x 7.5	2 x 10			88	-	-	-	-	85	84.5	84	83	82	81	79.5	76	72	67	60	

Q = Flow rate H = Total manometric head HS = Suction height

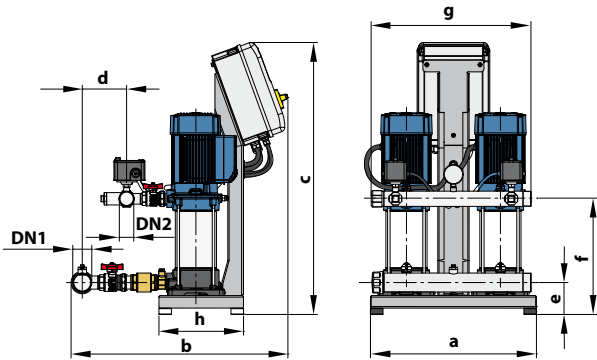
Tolerance of characteristic curves in compliance with EN ISO 9906 Grade 3B.

* Maximum flow rate of the pressure boosting set with both pumps running

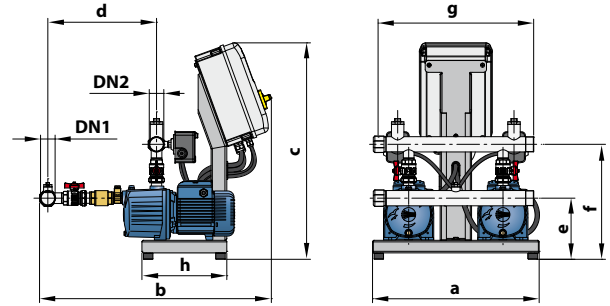
▲ Three-phase motor efficiency class (IEC 60034-30-1)

COMBIPRESS "CB2"

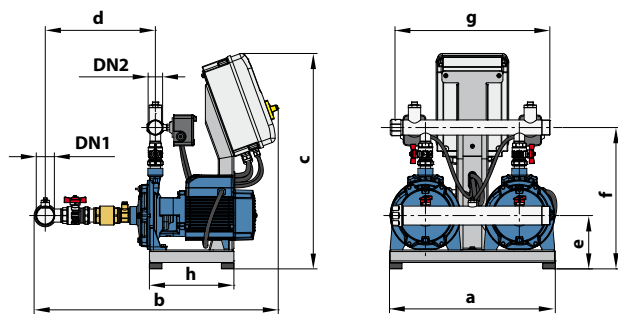
DIMENSIONS AND WEIGHT



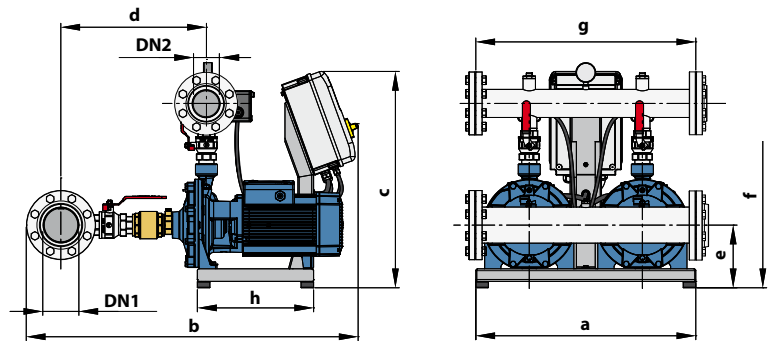
CB2 - MK



CB2 - 4CP • CB2 - 3-5CR



CB2 - 2CP 25/ • CB2 - 2CP 32/



CB2 - 2CP 40/

MODEL		PORTS		DIMENSIONS mm								kg		
Single-phase	Three-phase	DN1	DN2	a	b	c	d	e	f	g	h	1~	3~	
CB2 - MKm 3/3	CB2 - MK 3/3	2"	1½"	530	695	868	140	102	251	500	270	58.0	59.0	
CB2 - MKm 3/4	CB2 - MK 3/4								275			59.0	59.0	
CB2 - MKm 3/5	CB2 - MK 3/5								299			60.0	60.0	
CB2 - MKm 3/6	CB2 - MK 3/6								323			66.0	64.0	
CB2 - MKm 5/4	CB2 - MK 5/4								275			59.0	59.0	
CB2 - MKm 5/5	CB2 - MK 5/5								299			59.0	60.0	
CB2 - MKm 5/6	CB2 - MK 5/6								323			65.0	63.0	
-	CB2 - MK 5/7								347			-	66.0	
-	CB2 - MK 5/8	368	-	67.0										
CB2 - MKm 8/4	CB2 - MK 8/4	2½"	1½"	530	742	868	178	102	261	500	270	67.0	65.0	
-	CB2 - MK 8/5								288			-	68.0	
-	CB2 - MK 8/6								309			-	68.0	
CB2 - 4CPm100	-	1½"	1½"	530	737	688	346	194	366	500	270	52.0	-	
CB2 - 3CRm80	-	1½"	1½"	530	764	689	349	192	372	500	270	39.8	-	
CB2 - 4CRm80	-				837		412					41.8	-	
CB2 - 5CRm80	-				837		412					46.6	-	
CB2 - 4CRm100	-	2"	2"	530	837	688	343	152	394	500	270	52.9	-	
CB2 - 5CRm100	-											53.7	-	
CB2 - 2CPm 25/130	CB2 - 2CP 25/130	1½"	1½"	530	746	688	343	152	394	500	270	52.5	51.0	
CB2 - 2CPm 25/14B	CB2 - 2CP 25/14B	2"	1½"	530	771	688	352	170	417	500	270	70.5	70.0	
CB2 - 2CPm 25/16C	CB2 - 2CP 25/16C				780							452	70.5	70.0
CB2 - 2CPm 25/16B	CB2 - 2CP 25/16B				780							452	79.5	79.0
-	CB2 - 2CP 25/16A				780							452	-	82.0
-	CB2 - 2CP 32/200C	3"	2"	700	982	688	450	192	535	700	370	-	112.0	
-	CB2 - 2CP 32/200B				987							565	-	118.0
-	CB2 - 2CP 32/210B				987							565	-	149.0
-	CB2 - 2CP 32/210A				987							565	-	156.0
-	CB2 - 2CP 40/180C	4"	3"	700	1056	688	463	199	587	700	370	-	168.0	
-	CB2 - 2CP 40/180B											-	178.0	
-	CB2 - 2CP 40/180A											-	188.0	